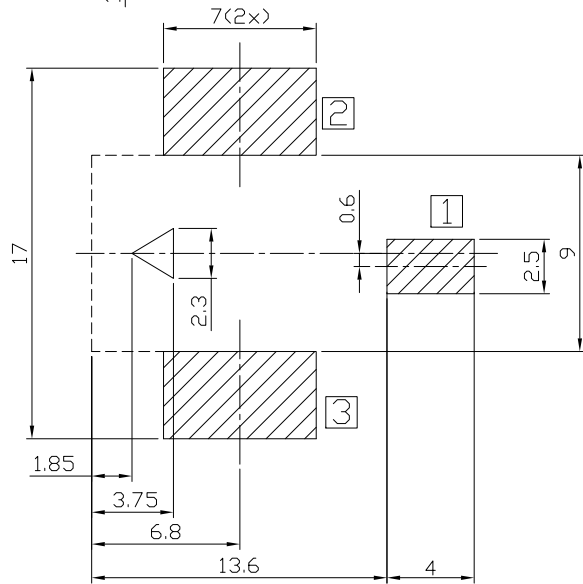
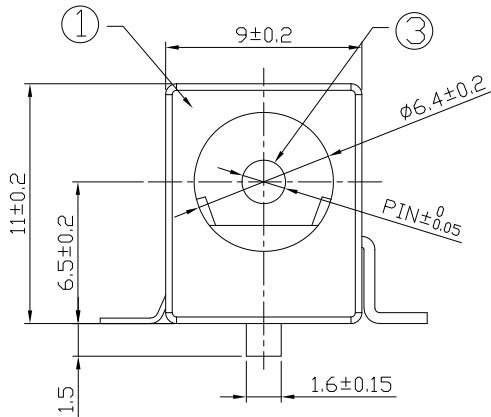




RoHS Compliant  
2002/95/EC

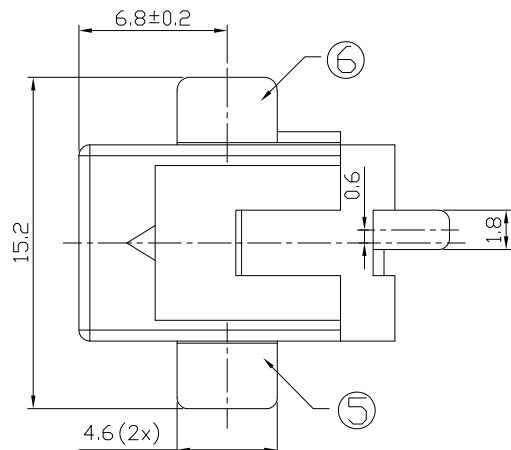
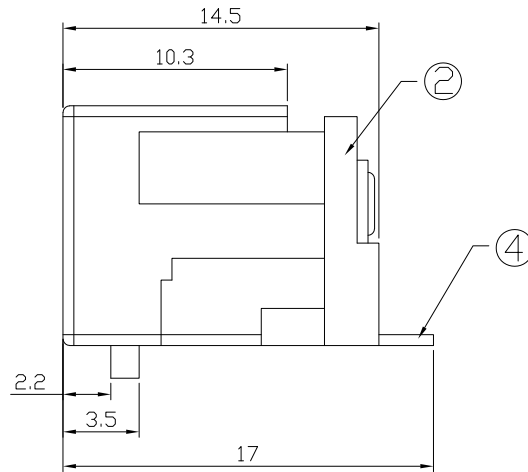
Halogen Free

DIMENSIONS



RECOMMENDED P.C.B. LAYOUT  
UNSPECIFIED TOLERANCE:±0.05  
(COPPER-SIDED VIEW)

○: ITEM NO. □: TERMINAL NO.



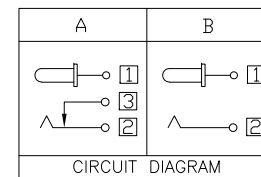
MODEL CODE:

DCB0-0088D- A □ 10 BK S 0 1

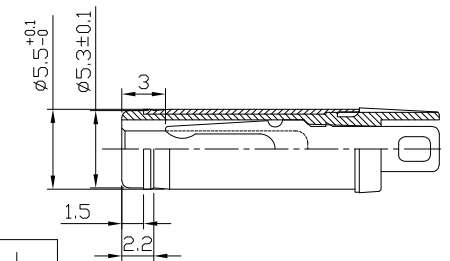
- (1) (2) (3)(4) (5) (6) (7)(8) (9)  
 (1):Series type:SMD DC POWER JACK.  
 (2):Series No.  
 (3):Schematic option: A,B  
 (4):Center pin diameter:  
 H=φ2.0, J=φ2.5  
 (5):Material of housing:  
 10=PA10T (Standard)  
 (6):Housing color:  
 BK=Black  
 (7):Terminal plating:  
 S=Silver(Ag)  
 (8):Special option:  
 0=No special option  
 (9):Packing mode:  
 1=Reel packing

SPECIFICATION

- Rating: DC 20V 5A;
- Contact resistance: ≤30mΩ;  
After test:≤50mΩ
- Insulation resistance: ≥100MΩ (DC250V);  
After test:≥50MΩ
- Withstanding voltage: 500VAC;
- Insertion and extraction force: 3-30N;
- life test: 5,000 cycles;
- Operation temperature range: -20℃~70℃;
- Preservative temperature range: -40℃~85℃



Model No.	H	J
CENTER PIN	φ2.0	φ2.5



DC MATE PLUG

NO.	PARTS	MATERIAL	Q'TY	FINISHING	TOLERANCE	ANGLES	UNITS
⑥	Shunt terminal ③	Brass t0.5	1	Silver plating			mm
⑤	Tip spring ②	Phosphor bronze t0.25	1	Silver plating	±0.3	±2'	MAT'L
④	Center pin terminal ①	Brass t0.5	1	Silver plating			SEE NOTE
③	Center pin ①	Brass	1	Nickel plating			FINISH
②	Cover	PA9T UL94V-0	1	Black			SEE NOTE
①	Housing	PA9T UL94V-0	1	Black			Q'TY

THESE DRAWINGS AND SPECIFICATIONS ARE THE PROPERTY OF ACCURATE INNOTECH INC AND SHALL NOT BE REPRODUCED, COPIED OR USED IN ANY MANNER WITHOUT THE PRIOR WRITTEN CONSENT OF ACCURATE INNOTECH INC.

雅安科技有限公司 ACCURATE INNOTECH INC.			
TITLE: SMD DC POWER JACK		PART NO.: DCB0-0088D	
DR: Ricky 2023/10/19		DWG NO.: AB0-0088D	
CHKD: Ricky 2023/10/19		SCALE	SHEET
APPD:		1:1	1/1
		REV.	CUSTOMER DRAWING
		A	

SCALE 1:1 SHEET 1/1 REV. A CUSTOMER DRAWING