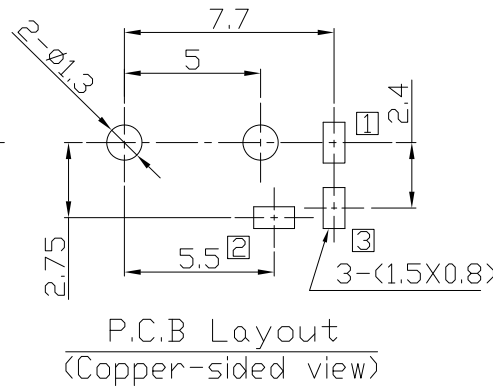
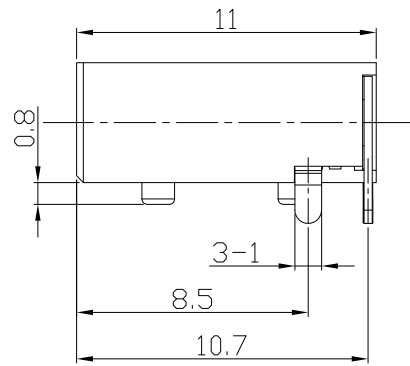
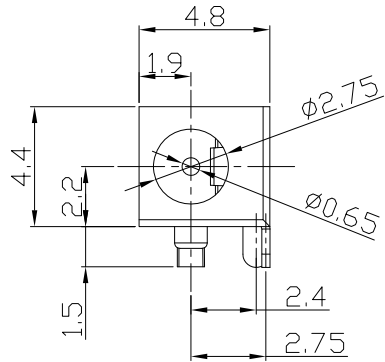




RoHS  
Compliant  
2002/95/EC

REV.	ECN.	NO.	APPD.

DIMENSIONS



MODEL CODE:

DCB0-00930- A A PB BK S 0 4

(1) (2) (3)<4> (5) (6) (7)<8> (9)

(1):Series type:DIP DC POWER JACK.

(2):Series No.

(3):Schematic option: A , B

(4):Center pin diameter:

A=0.65

(5):Material of housing:

PB=PBT (Standard)

(6):Housing color:

BK=Black (Standard)

(7):Terminal plating

S=Silver(Ag)

(8):Special option:

0=No special option

(9):Packing mode:

4=Bag packing

SPECIFICATION:

1.Rating : DC 30V 0.5A;

2.Contact resistance:  $\leq 30m\Omega$ ;

3.Insulation resistance:  $\geq 100M\Omega$  (DC500V);

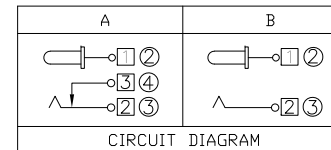
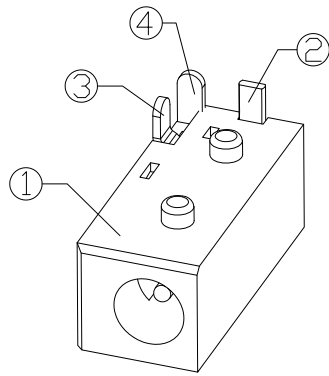
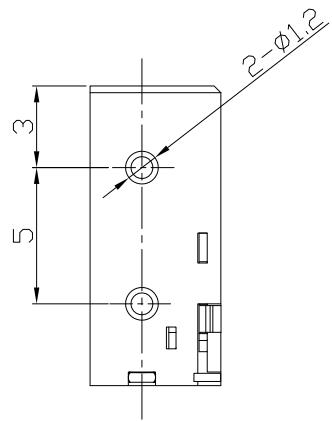
4.Withstand voltage: 500VAC ;

5.Insertion and extraction force: 3-30N;

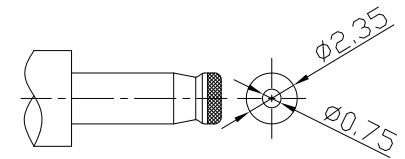
6.life test: 5,000 cycles;

7.□peration temperature range:-20°C~70°C;

8.Preservative temperature range:-40°C~85°C;



CIRCUIT DIAGRAM



DC MATE PLUG

○: ITEM NO. □: TERMINAL NO.

NO.	PARTS	MATERIAL	Q'TY	FINISHING	TOLERANCE	ANGLES	UNITS	雅安科技有限公司 ACCURATE INNOTECH INC.				
④	Shunt terminal	Brass t=0.3	1	Ag-Plating	±0.3	±2'	mm	雅安科技有限公司 ACCURATE INNOTECH INC. TITLE: DIP DC POWER JACK PART NO.: DCB0-00930 DR: Ricky 2019/05/03 DWG NO.: AB0-00930 CHKD: Ricky 2019/05/03 APPD:				
③	Tip spring	Bronze t=0.3	1	Ag-Plating			MAT'L					SEE NOTE
②	Center pin	Bronze	1	Ag-Plating			FINISH					SEE NOTE
①	Housing	PBT UL94V-0	1				Q'TY	THESE DRAWINGS AND SPECIFICATIONS ARE THE PROPERTY OF ACCURATE INNOTECH INC AND SHALL NOT BE REPRODUCED, COPIED OR USED IN ANY MANNER WITHOUT THE PRIOR WRITTEN CONSENT OF ACCURATE INNOTECH INC.				
								SCALE: 1:1 SHEET: 1/1 REV.: A CUSTOMER DRAWING				