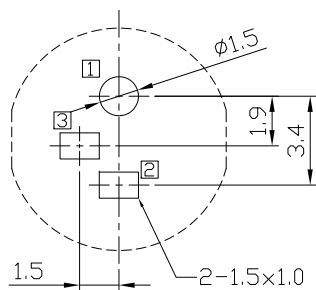
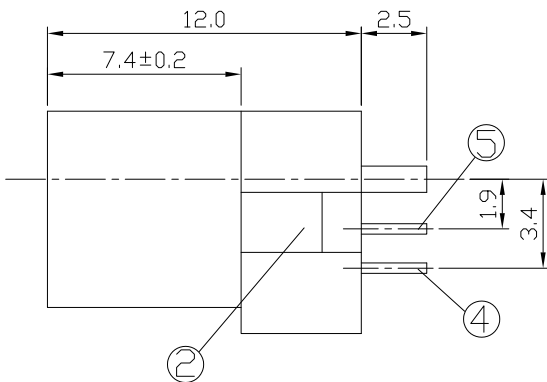
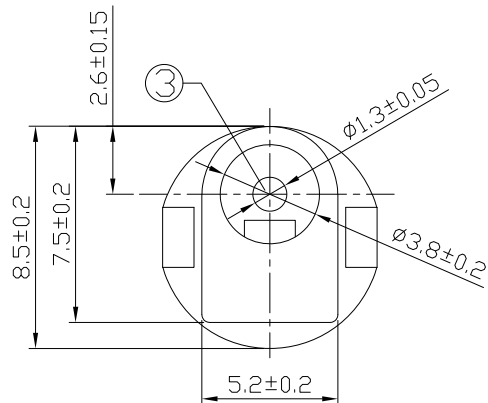




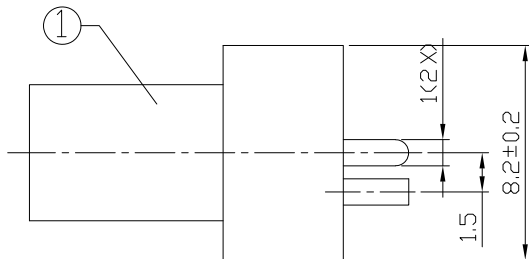
RoHS Compliant
2002/95/EC

REV.	ECN. NO.	APPD.

DIMENSIONS



P.C.B Layout (Top view)



MODEL CODE:

DCB0-00970- A E 66 BK G 0 4

(1) (2) (3)(4)(5) (6) (7) (8) (9)

(1):Series type:DIP DC POWER JACK.

(2):Series No.

(3):Schematic option: A,B

(4):Center pin diameter:

E=φ1.3

(5):Material of housing:

66=PA66

(6):Housing color:

BK=Black

(7):Terminal plating:

G=Gold(Au)

(8):Special option:

0=No special option

(9):Packing mode:

4=Bag Packing

Specification:

1.Rating: DC 30V 0.5A.

2.Contact resistance: ≤30mΩ

3.Insulation resistance: ≥100MΩ (500VDC).

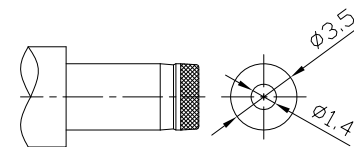
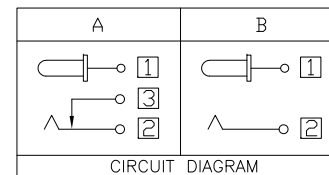
4.Withstand voltage: 500VAC.

5.Insertion and extraction force: 3N~30N.

6.life test: 5000cycles min.

7. Operation temperature range: -20℃~70℃.

8.Preservative temperature range: -40℃~85℃.



DC MATE PLUG

○: ITEM NO. □: TERMINAL NO.

NO.	PARTS	MATERIAL	Q'TY	FINISHING	TOLERANCE	ANGLES	UNITS	雅安科技有限公司 ACCURATE INNOTECH INC.			
								mm		TITLE:	PART NO.:
5	Shunt terminal 3	Brass t=0.5	1	Gold plating	±0.3	±2°	MAT'L	SEE NOTE	DIP DC POWER JACK		DCB0-00970
4	Tip spring 2	Phosphor bronze t=0.3	1	Gold plating			FINISH	SEE NOTE	DR: <i>Ricky</i> 2023/10/27		DWG NO.: AB0-00970
3	Center pin 1	Brass	1	Gold plating			Q'TY		CHKD: <i>Ricky</i> 2023/10/27		SCALE SHEET REV. CUSTOMER 1:1 1/1 A DRAWING
2	Cover	PA66	1						APPD:		
1	Housing	PA66	1								

THESE DRAWINGS AND SPECIFICATIONS ARE THE PROPERTY OF ACCURATE INNOTECH INC AND SHALL NOT BE REPRODUCED, COPIED OR USED IN ANY MANNER WITHOUT THE PRIOR WRITTEN CONSENT OF ACCURATE INNOTECH INC.