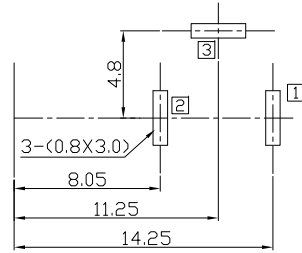
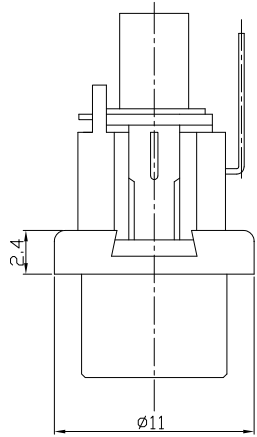




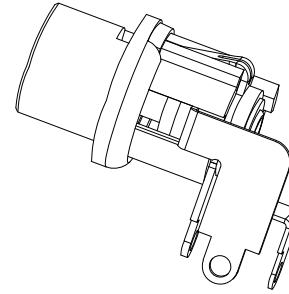
RoHS
Compliant
2002/95/EC

REV.	ECN.	NO.	APPD.

DIMENSIONS



P.C.B Layout
(Printed-sided view)



MODEL CODE:

DCB0-01240- A □ PB BK S 0 4

(1) (2) (3)(4) (5) (6) (7)(8) (9)

(1):Series type:DIP DC POWER JACK.

(2):Series No.

(3):Schematic option: A , B

(4):Center pin diameter:

H=ø2.0 , J=ø2.5

(5):Material of housing:

PB=PBT (Only)

(6):Housing color:

BK=Black (Only)

(7):Terminal plating

S=Silver(Ag)

T=Tin(Sn)

C=copper&tin alloy plating (Standard)

(8):Special option:

0=No special option

(9):Packing mode:

4=Bag packing

SPECIFICATION:

1.Rating : DC 30V 3A;

2.Contact resistance: ≤30mΩ;

3.Insulation resistance: ≥100MΩ (DC250V);

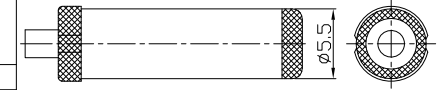
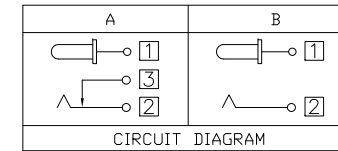
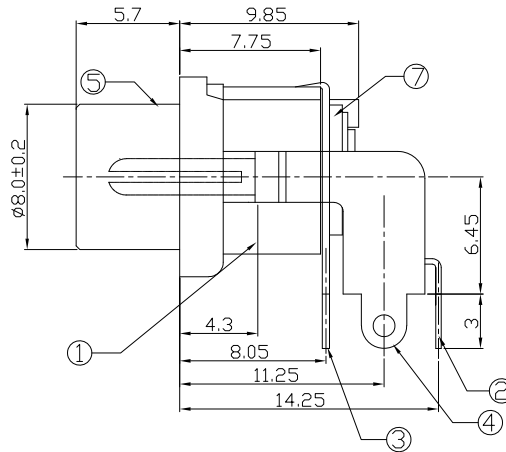
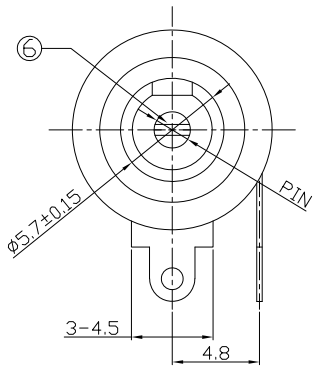
4.Withstand voltage: 500VAC ;

5.Insertion and extraction force: 3-30N;

6.life test: 5,000 cycles;

7.Operation temperature range:-20°C~70°C;

8.Preservative temperature range:-40°C~85°C;



Model No.	H	J
CENTER PIN	ø2.0	ø2.5

DC MATE PLUG

○: ITEM NO. □: TERMINAL NO.

NO.	PARTS	MATERIAL	Q'TY	FINISHING	TOLERANCE	ANGLES	UNITS
⑥	Center pin	① Phosphor bronze	1	Ni-Plating			mm
⑤	Bushing	Brass	1	Ni-Plating	±0.3	±2'	MAT'L
④	Shunt terminal	③ Phosphor bronze	1	Cu-Sn-Plating			SEE NOTE
③	Tip spring	② Phosphor bronze	1	Cu-Sn-Plating			FINISH
②	Center pin terminal	① Brass	1	Cu-Sn-Plating			SEE NOTE
①	Housing	PBT	1	Black			Q'TY

THESE DRAWINGS AND SPECIFICATIONS ARE THE PROPERTY OF ACCURATE INNOTECH INC AND SHALL NOT BE REPRODUCED, COPIED OR USED IN ANY MANNER WITHOUT THE PRIOR WRITTEN CONSENT OF ACCURATE INNOTECH INC.

雅安科技有限公司 ACCURATE INNOTECH INC.			
TITLE: DIP DC POWER JACK		PART NO.: DCB0-01240	
DR: <i>Ricky</i> 2019/05/03		DWG NO.: AB0-01240	
CHKD: <i>Ricky</i> 2019/05/03		SCALE	SHEET
APPD:	1:1	1/1	REV. A
		CUSTOMER	DRAWING