



RoHS  
Compliant  
2002/95/EC

Halogen Free

REV.	ECN. NO.	APPD.

MODEL CODE:

DCB0-0144C- A J 10 BK S 1 1

(1) (2) (3)(4)(5)(6) (7) (8) (9)

(1):Series type:DIP DC POWER JACK.

(2):Series No.

(3):Schematic option: A

(4):Center pin diameter:

J=φ2.5

(5):Material of housing:

10=PA10T R630NH BK003

(6):Housing color:

BK=Black

(7):Terminal plating:

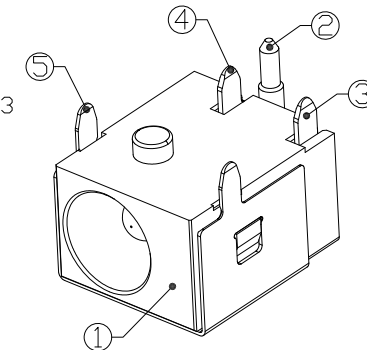
S=Silver(Ag)

(8):Special option:

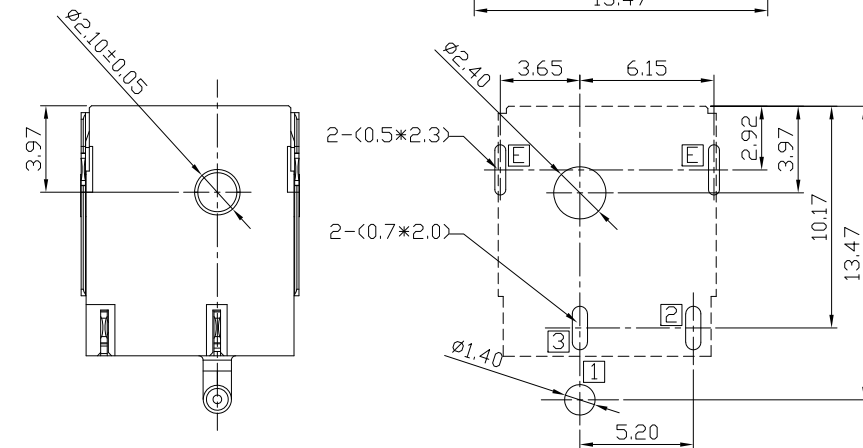
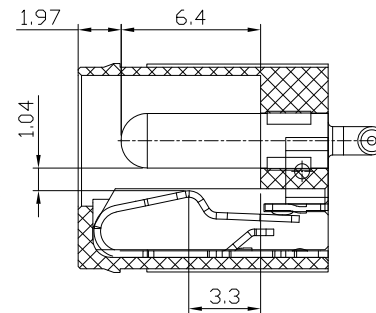
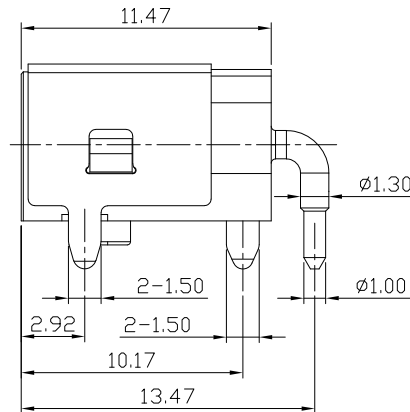
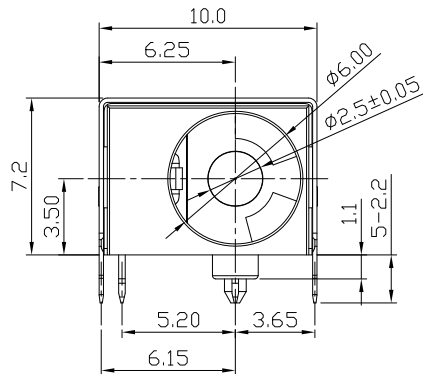
1=环保要求: 加州65

(9):Packing mode:

1=Reel packing



DIMENSIONS



RECOMMENDED P.C.B. LAYOUT  
UNSPECIFIED TOLERANCE:±0.05  
TOP VIEW T=1.2±0.05mm

○: ITEM NO. □: TERMINAL NO.

Specification:

1.Rating: DC 42V 7A;

2.Contact resistance: ≤30mΩ;

After test: ≤50mΩ

3.Insulation resistance: ≥100MΩ (500VDC);

After test: ≥50MΩ

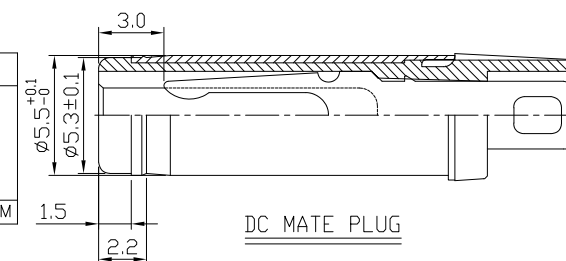
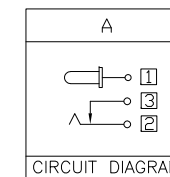
4.Withstand voltage: 500VAC;

5.Insertion and extraction force: 3N~30N;

6.life test: 5000cycles MIN.

7.Operaton temperature range: -20℃~70℃

8.Preservative temperature range: -40℃~85℃



NO.	PARTS	MATERIAL	Q'TY	FINISHING	TOLERANCE	ANGLES	UNITS
⑤	Shield plate	Brass	1	Ni plating	.X ±0.50	X.* ±5°	mm
④	Shunt terminal ③	Brass	1	Ag plating	.XX ±0.30	.X.* ±3°	MAT'L
③	Tip spring ②	Phosphor bronze	1	Ag plating	.XXX ±0.15	.XX.* ±2°	SEE NOTE
②	Center pin ①	Brass	1	Ni plating			FINISH
①	Housing	High temp. thermoplastic	1	Black			SEE NOTE
							Q'TY

THESE DRAWINGS AND SPECIFICATIONS ARE THE PROPERTY OF ACCURATE INNOTECH INC AND SHALL NOT BE REPRODUCED, COPIED OR USED IN ANY MANNER WITHOUT THE PRIOR WRITTEN CONSENT OF ACCURATE INNOTECH INC.

雅安科技有限公司 ACCURATE INNOTECH INC.			
TITLE: DIP DC POWER JACK		PART NO.: DCB0-0144C	
DR: Ricky 2023/10/25		DWG NO.: AB0-0144C	
CHKD: Ricky 2023/10/25		SCALE	SHEET
APPD:		1:1	1/1
		REV.	CUSTOMER DRAWING
		A	