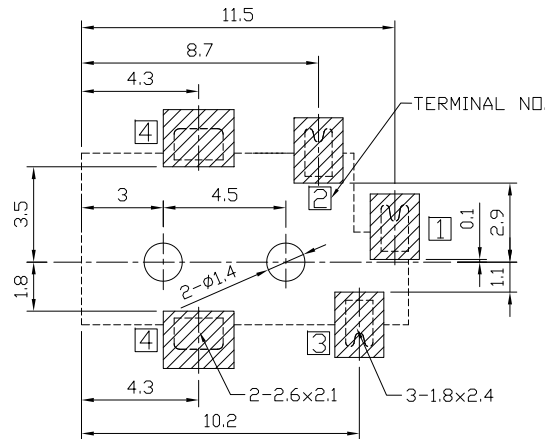
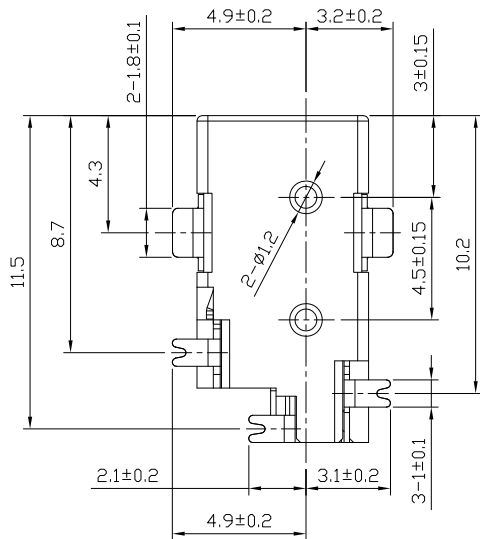
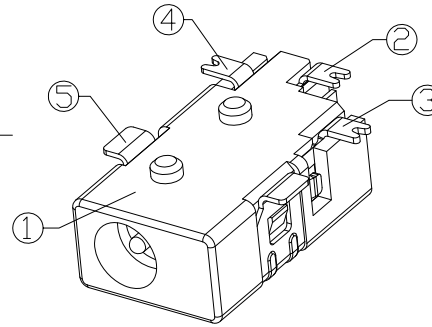
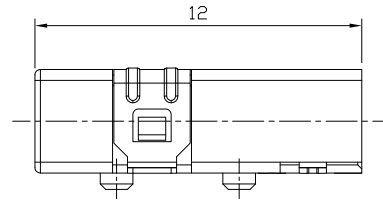
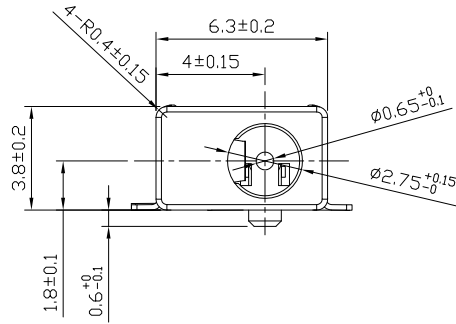




RoHS
Compliant
2002/95/EC

REV.	ECN.	NO.	APPD.

DIMENSIONS



RECOMMENDED P.C.B.LAYOUT
UNSPECIFIED TOLERANCE:±0.05
(TOP VIEW)

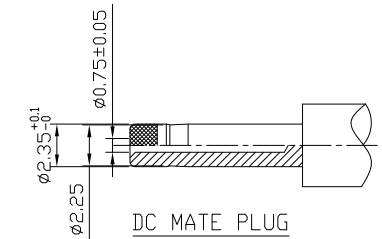
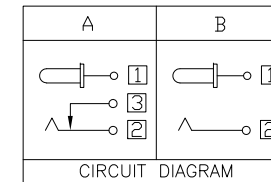
MODEL CODE:

DCB0-01520- A A 9T BK S 0 1

- (1) (2) (3)(4) (5) (6) (7)(8) (9)
- (1):Series type:SMD DC POWER JACK.
 (2):Series No.
 (3):Schematic option: A,B
 (4):Center pin diameter:
 A=φ0.65
 (5):Material of housing:
 9T=PA9T(Standard)
 (6):Housing color:
 BK=Black
 (7):Terminal plating:
 S=Silver(Ag)
 (8):Special option:
 0=No special option
 G=With customer mark"GG"
 (9):Packing mode:
 1=Reel packing

SPECIFICATION

- Rating : DC 12V 2A ;
- Contact resistance : ≤50mΩ ;
After test : ≤100mΩ ;
- Insulation resistance : ≥100MΩ (DC500V) ;
After test : ≤50MΩ ;
- Withstand voltage : 500VAC ;
- Insertion and extraction force : 3-30N ;
- life test : 5,000 cycles ;
- Operation temperature range:-20°C~70°C ;
- Preservative temperature range:-40°C~85°C ;



○: ITEM NO. □: TERMINAL NO.

NO.	PARTS	MATERIAL	Q'TY	FINISHING	TOLERANCE	ANGLES	UNITS
⑤	Terminal ④	Brass t=0.2	1	Silver plating	±0.3	±2°	mm
④	Shunt terminal ③	Brass t=0.2	1	Silver plating			
③	Tip spring ②	Stainless steel t=0.25	1	Silver plating			
②	Center pin ①	Bronze t=0.2	1	Silver plating			
①	Housing	PA9T,UL94V-0	1	Black			

THESE DRAWINGS AND SPECIFICATIONS ARE THE PROPERTY OF ACCURATE INNOTECH INC AND SHALL NOT BE REPRODUCED, COPIED OR USED IN ANY MANNER WITHOUT THE PRIOR WRITTEN CONSENT OF ACCURATE INNOTECH INC.

雅安科技有限公司 ACCURATE INNOTECH INC.		TITLE: SMD DC POWER JACK		PART NO.: DCB0-01520	
DR: Ricky 2018/06/26		DWG NO.: AB0-01520			
CHKD: Ricky 2018/06/26		SCALE: 1:1		SHEET: 1/1	
APPD:		REV.: A		CUSTOMER DRAWING	