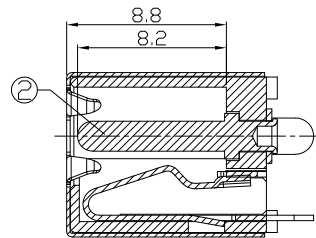
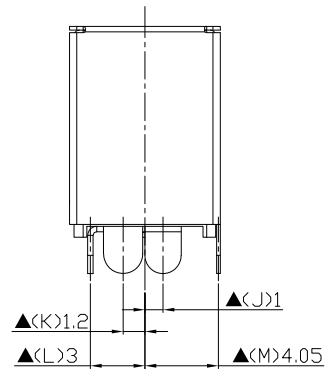
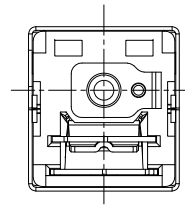
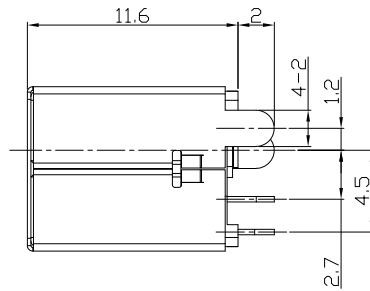
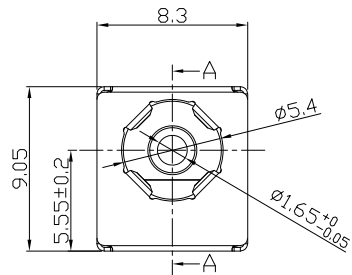




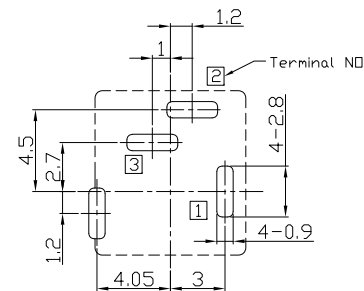
RoHS
Compliant
2002/95/EC

Halogen Free

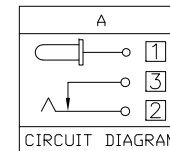
DIMENSIONS



SECTION A-A



RECOMMENDED P.C.B. LAYOUT
UNSPECIFIED TOLERANCE: ±0.05
(TOP VIEW)



MODEL CODE:

DCB0-01560- A G 10 BK S H 1

(1) (2) (3)(4)(5) (6) (7)(8) (9)

(1):Series type:DIP DC POWER JACK.

(2):Series No.

(3):Schematic option: A

(4):Center pin diameter:

G=φ1.65

(5):Material of housing:

10=PA10T

(6):Housing color:

BK=Black

(7):Terminal plating

S=Silver(Ag)

(8):Special option:

H=Halogen Free material

(9):Packing mode:

1=Reel packing

SPECIFICATION:

1.Rating : DC 20V 3A;

2.Contact resistance: ≤30mΩ;

After test:≤50mΩ

3.Insulation resistance: ≥100MΩ (DC500V);

After test:≥50MΩ

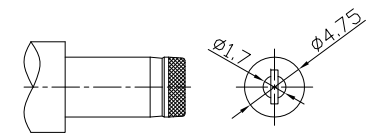
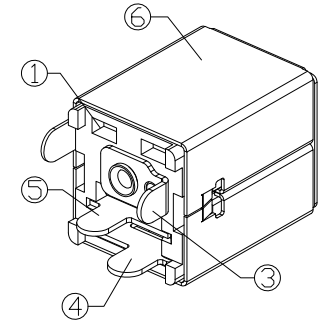
4.Withstand voltage: 500VAC;

5.Insertion and extraction force: 3-30N;

6.life test: 5,000 cycles;

7.Operation temperature range:-20°C~70°C;

8.Preservative temperature range:-40°C~85°C;



DC MATE PLUG

○: ITEM NO. □: TERMINAL NO.

| NO. | PARTS | MATERIAL | Q'TY | FINISHING | TOLERANCE | ANGLES | UNITS | MAT'L | FINISH | Q'TY |
|-----|-----------------------|-----------------------|------|----------------|-----------|--------|-------|----------|--------|------|
| ⑥ | Shell | Stainless steel t=0.2 | 1 | Nickel plating | | | mm | | | |
| ⑤ | Shunt terminal ③ | Brass t=0.3 | 1 | Silver plating | ±0.3 | ±2° | | SEE NOTE | | |
| ④ | Tip spring ② | Phosphor bronze t=0.3 | 1 | Silver plating | | | | SEE NOTE | | |
| ③ | Center pin terminal ① | Brass t=0.3 | 1 | Silver plating | | | | | | |
| ② | Center pin ① | Copper alloy | 1 | Nickel plating | | | | | | |
| ① | Housing | PA10T | 1 | Black | | | | | | |

THESE DRAWINGS AND SPECIFICATIONS ARE THE PROPERTY OF ACCURATE INNOTECH INC AND SHALL NOT BE REPRODUCED, COPIED OR USED IN ANY MANNER WITHOUT THE PRIOR WRITTEN CONSENT OF ACCURATE INNOTECH INC.

| | | | |
|------------------------------------|--|-------------------------|------------------|
| 雅安科技有限公司 ACCURATE INNOTECH INC. | | | |
| TITLE: DIP DC POWER JACK | | PART NO.: DCB0-01560 | |
| DR: Ricky 2019/05/06 | | DWG NO.: AB0-01560 | |
| CHKD: Ricky 2019/05/06 | | SCALE | SHEET |
| APPD: | | 1:1 | 1/1 |
| | | REV. | CUSTOMER DRAWING |
| | | A | |