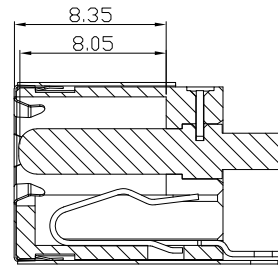
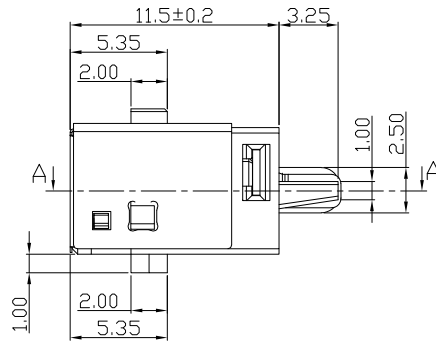
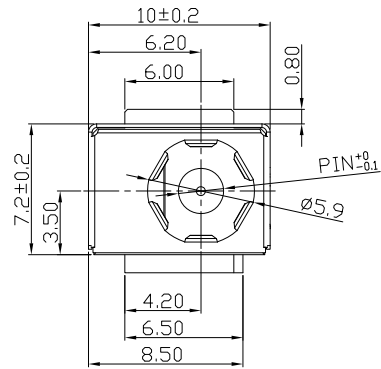
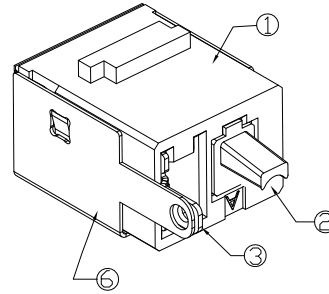
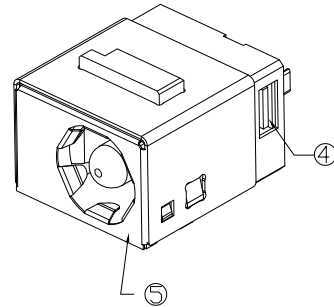
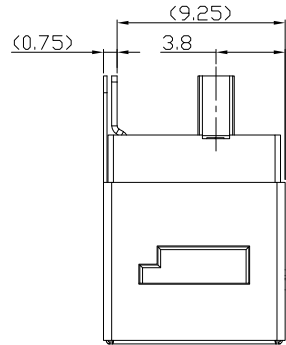




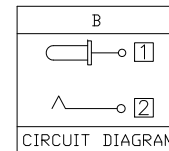
**RoHS Compliant**  
2002/95/EC

REV.	ECN.	NO.	APPD.

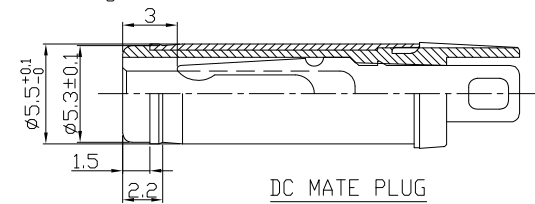
**DIMENSIONS**



SECTION:A-A



Model No.	G	H	J
CENTER PIN	Ø1.65	Ø2.0	Ø2.5



DC MATE PLUG

**SPECIFICATION:**

- Rating : DC 20V 5A;
- Contact resistance: ≤30mΩ;  
After test:≤50mΩ
- Insulation resistance: ≥100MΩ (DC500V);  
After test:≥50MΩ
- Withstand voltage: 500VAC;
- Insertion and extraction force: 3-30N;
- life test: 5,000 cycles;
- Operation temperature range:-20°C~70°C;
- Preservative temperature range:-40°C~85°C;

Model No.	G	H	J
CENTER PIN	Ø1.65	Ø2.0	Ø2.5

○: ITEM NO. □: TERMINAL NO.

NO.	PARTS	MATERIAL	Q'TY	FINISHING	TOLERANCE	ANGLES	UNITS
⑥	Ground Terminal	Stainless steel	1	Nickel plating			mm
⑤	Shield plate	Stainless steel	1		.X ±0.50	X ±5°	MAT'L
④	Peg	Copper Alloy	1	Tin plating	.XX ±0.30	.X ±3°	SEE NOTE
③	Tip spring	② Copper Alloy	1	Silver plating	.XXX ±0.15	.XX ±2°	FINISH
②	Center pin	① Zinc Alloy	1	Ni/CuSn Plating			SEE NOTE
①	Housing	Thermoplastic	1	Black			Q'TY

THESE DRAWINGS AND SPECIFICATIONS ARE THE PROPERTY OF ACCURATE INNOTECH INC AND SHALL NOT BE REPRODUCED, COPIED OR USED IN ANY MANNER WITHOUT THE PRIOR WRITTEN CONSENT OF ACCURATE INNOTECH INC.

<b>雅安科技有限公司 ACCURATE INNOTECH INC.</b>			
TITLE: DC POWER JACK		PART NO.: DCB0-0167A	
DR: <i>Ricky</i> 2019/05/06		DWG NO.: AB0-0167A	
CHKD: <i>Ricky</i> 2019/05/06		SCALE	SHEET
APPD:	1:1	1/1	REV. A
			CUSTOMER DRAWING