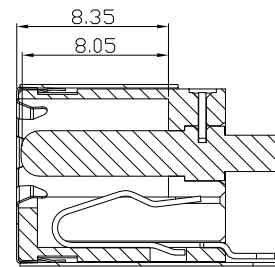
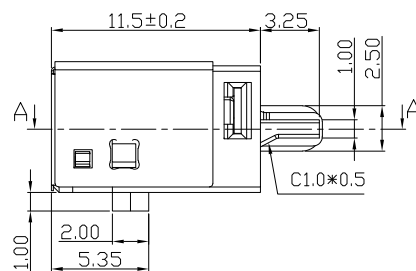
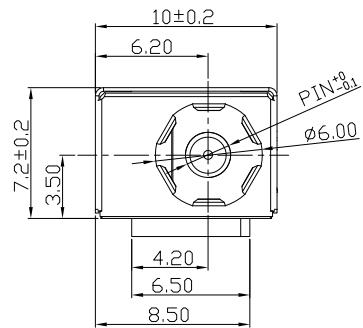
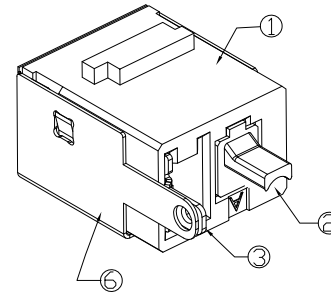
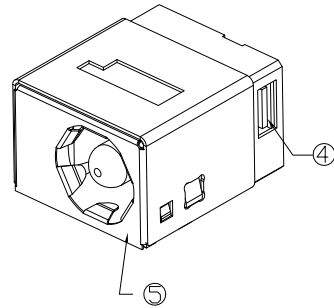
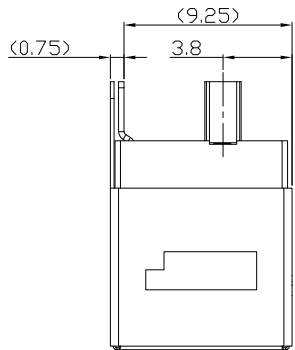




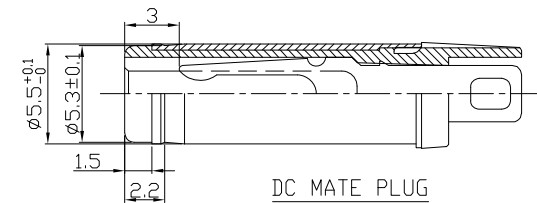
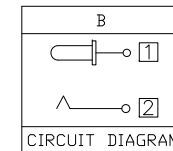
RoHS
Compliant
2002/95/EC

REV.	ECN.	NO.	APPD.

DIMENSIONS



SECTION:A-A



DC MATE PLUG

Model No.	G	H	J
CENTER PIN	Ø1.65	Ø2.0	Ø2.5

TOLERANCE	ANGLES	UNITS
.X ±0.50	X ±5°	mm
.XX ±0.30	.X ±3°	MAT'L
.XXX ±0.15	.XX ±2°	SEE NOTE
		FINISH
		SEE NOTE
		Q'TY

THESE DRAWINGS AND SPECIFICATIONS ARE THE PROPERTY OF ACCURATE INNOTECH INC AND SHALL NOT BE REPRODUCED, COPIED OR USED IN ANY MANNER WITHOUT THE PRIOR WRITTEN CONSENT OF ACCURATE INNOTECH INC.

雅安科技有限公司 ACCURATE INNOTECH INC.			
TITLE: DC POWER JACK		PART NO.: DCB0-0167B	
DR: <i>Ricky</i> 2019/05/06		DWG NO.: AB0-0167B	
CHKD: <i>Ricky</i> 2019/05/06		SCALE	SHEET
APPD:	1:1	1/1	REV. A
		CUSTOMER	DRAWING

○: ITEM NO. □: TERMINAL NO.

NO.	PARTS	MATERIAL	Q'TY	FINISHING
⑥	Ground Terminal	Stainless steel	1	Nickel plating
⑤	Shield plate	Stainless steel	1	
④	Peg	Copper Alloy	1	Tin plating
③	Tip spring	② Copper Alloy	1	Silver plating
②	Center pin	① Zinc Alloy	1	Ni/CuSn Plating
①	Housing	Thermoplastic	1	Black