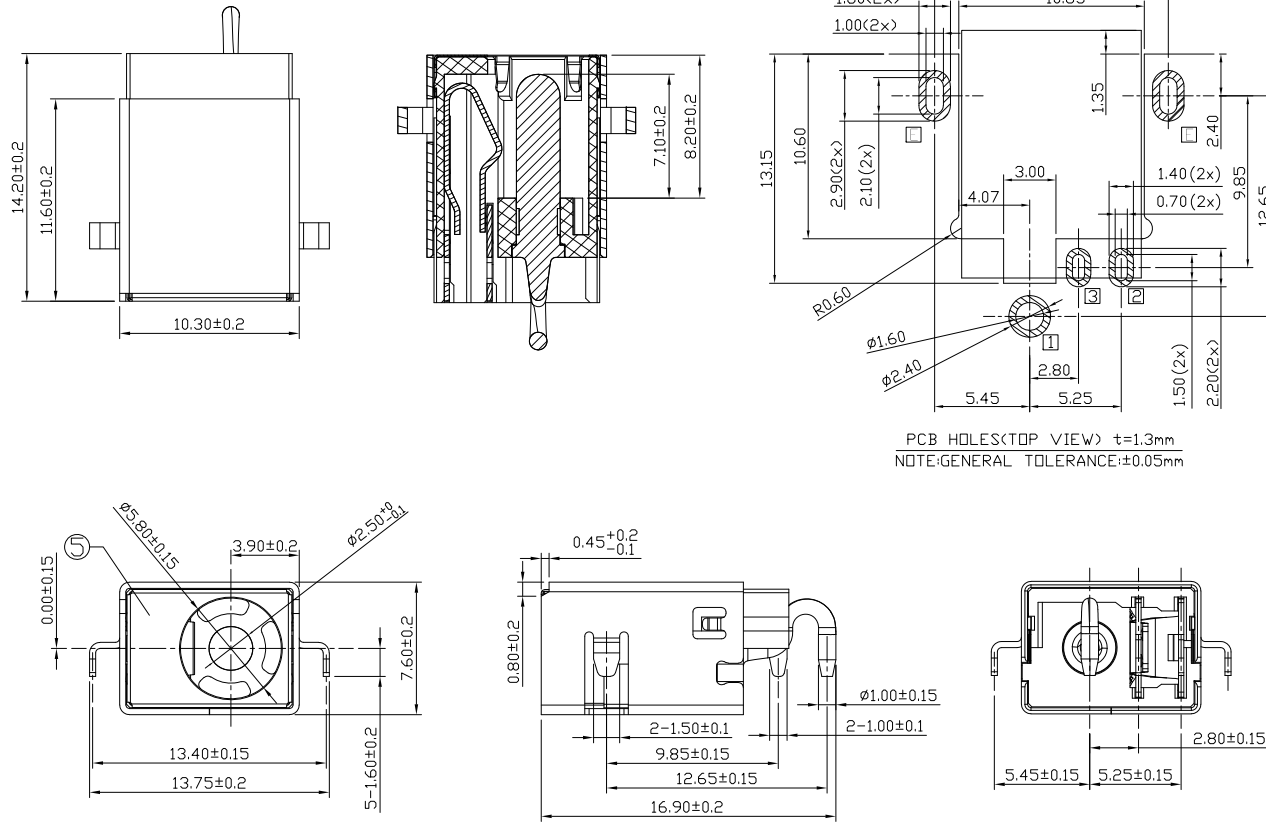




RoHS  
Compliant  
2002/95/EC

REV.	ECN.	NO.	APPD.

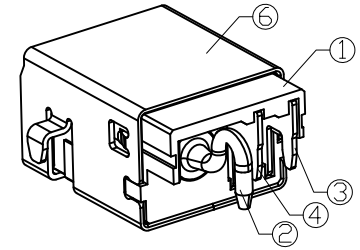
### DIMENSIONS



PCB HOLES(TOP VIEW) t=1.3mm  
NOTE:GENERAL TOLERANCE:±0.05mm

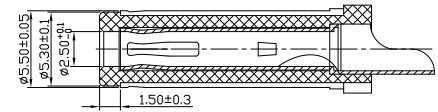
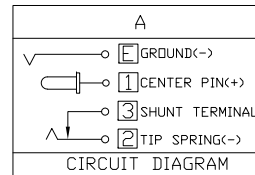
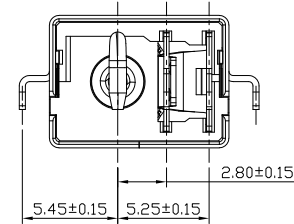
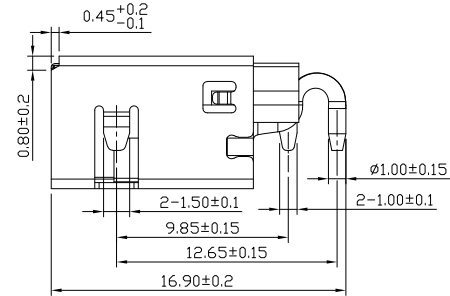
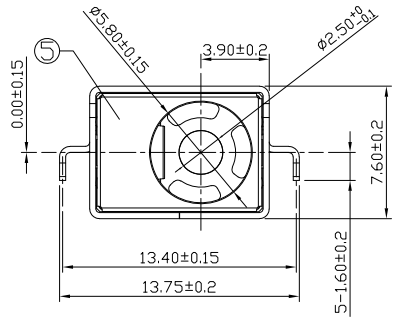
### MODEL CODE:

DCB0-0168C - A J LC BK G 0 1  
 (1) (2) (3)(4) (5) (6)(7)(8) (9)  
 (1):Series type:SMD DC POWER JACK.  
 (2):Series No.  
 (3):Schematic option: A  
 (4):Center pin diameter:  
 J=∅2.5  
 (5):Material of housing:  
 LC=LCP  
 (6):Housing color:  
 BK=Black (Standard)  
 (7):Terminal plating:  
 G=Gold(Gold flash)  
 (8):Special option:  
 0=No special option  
 (9):Packing mode:  
 1=Tape&Reel packing



### Specification:

- Rating: DC 20V 12A.
- Contact resistance: ≤30mΩ  
After life test: ≤50mΩ
- Insulation resistance: ≥100MΩ(500VDC).  
After life test: ≥50MΩ
- Withstand voltage: 500VAC.
- Insertion and extraction force:  
Initial: 10N~30N.  
After life test: 7N~30N.
- life test: 10000cycles min.
- Operation temperature range: -20℃~70℃.
- Preservative temperature range: -40℃~85℃.



○: ITEM NO. □: TERMINAL NO.

NO.	PARTS	MATERIAL	Q'TY	FINISHING
⑥	SHELL □	C2680-H t=0.35	1	All over Ni 1um Min.
⑤	Grounding	SUS301-H t=0.10	1	N/A
④	Shunt terminal ③	C2680-H t=0.30	1	All over Gold flash
③	Tip spring ②	C5210-EH t=0.30	1	All over Gold flash
②	Center pin ①	Brass	1	G/F 0.05um Min,All over Ni 1um Min.
①	Housing	LCP 30%GF	1	Black

TOLERANCE	ANGLES	UNITS
.X ±0.38	X.* ±5°	mm
.XX ±0.30	.X.* ±3°	
.XXX ±0.15	.XX.* ±2°	

THESE DRAWINGS AND SPECIFICATIONS ARE THE PROPERTY OF ACCURATE INNOTECH INC AND SHALL NOT BE REPRODUCED, COPIED OR USED IN ANY MANNER WITHOUT THE PRIOR WRITTEN CONSENT OF ACCURATE INNOTECH INC.

UNITS	MAT'L	FINISH	Q'TY
mm	SEE NOTE	SEE NOTE	

<b>雅安科技有限公司 ACCURATE INNOTECH INC.</b>			
TITLE: SMD DC POWER JACK		PART NO.: DCB0-0168C	
DR: Ricky 2023/10/20		DWG NO.: AB0-0168C	
CHKD: Ricky 2023/10/20		SCALE	SHEET
APPD:		1:1	1/1
		REV.	CUSTOMER DRAWING
		A	