



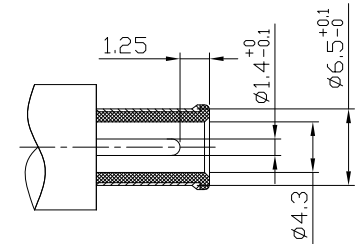
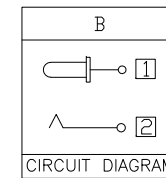
RoHS Compliant
2002/95/EC

REV.	ECN. NO.	APPD.

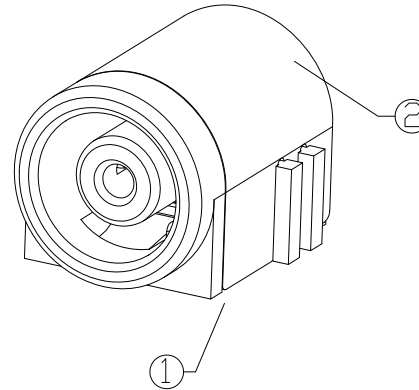
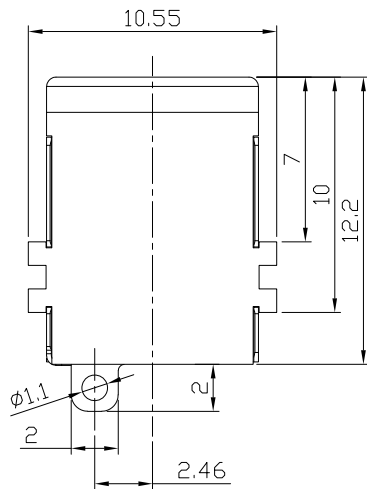
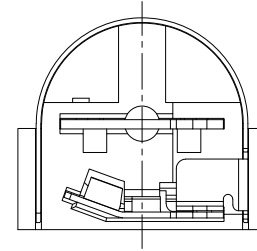
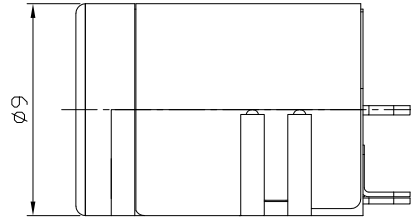
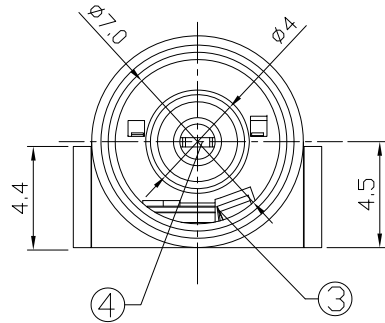
MODEL CODE:
DCB0-01820- B F PB BK T H 4

- (1):Series type:DC POWER JACK.
(2):Series No.
(3):Schematic option: B
(4):Center pin diameter:
F=φ1.4
(5):Material of housing:
PB=PBT
(6):Housing color:
BK=Black
(7):Terminal plating:
T=Tin plating
(8):Special option:
H=Halogen Free
(9):Packing mode:
4=Bag packing

- Specification:
1.Rating: DC 20V 5A;
2.Contact resistance: ≤50mΩ;After test:≤100mΩ
3.Insulation resistance: ≥100MΩ (500VDC);
After test: ≥50MΩ
4.Withstand voltage: 500VAC;
5.Insertion and extraction force: 3N~30N;
6.life test: 5000cycles;
7.Operate temperature range: -20℃~70℃
8.Preservative temperature range: -40℃~85℃



DIMENSIONS



○: ITEM NO. □: TERMINAL NO.

NO.	PARTS	MATERIAL	Q'TY	FINISHING	TOLERANCE	ANGLES	UNITS	雅安科技有限公司 ACCURATE INNOTECH INC.					
					.X ±0.50	X.° ±5°	mm						
④	Center terminal ①	Phosphor Bronze	1	Tin plating	.XX ±0.30	.X° ±3°	MAT'L	TITLE:	PART NO.:				
③	Tip spring ②	Phosphor Bronze	1	Tin plating	.XXX ±0.15	.XX° ±2°	SEE NOTE	DC POWER JACK	DCB0-01820				
②	Shell	Brass	1	Ni plating	FINISH			DR: <i>Ricky</i> 2023/10/27	DWG NO.:				
①	Housing	PBT, UL94V-0, BLACK	1	Halogen Free	SEE NOTE			CHKD: <i>Ricky</i> 2023/10/27	AB0-01820				
THESE DRAWINGS AND SPECIFICATIONS ARE THE PROPERTY OF ACCURATE INNOTECH INC AND SHALL NOT BE REPRODUCED, COPIED OR USED IN ANY MANNER WITHOUT THE PRIOR WRITTEN CONSENT OF ACCURATE INNOTECH INC.					Q'TY			APPD:	SCALE	SHEET	REV.	CUSTOMER DRAWING	
									1:1	1/1	A		