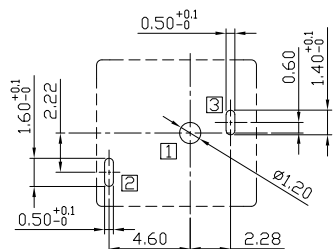
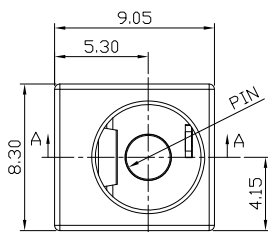
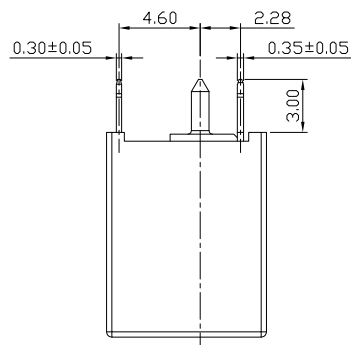




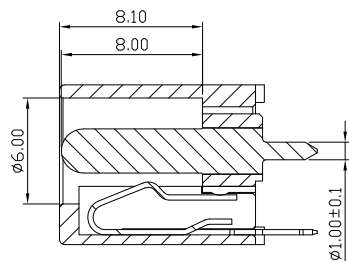
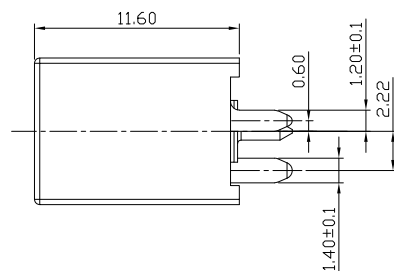
RoHS  
Compliant  
2002/95/EC

Halogen Free

DIMENSIONS



PCB HOLES(TOP VIEW) t=1.6mm  
NOTE:GENERAL TOLERANCE:±0.05mm



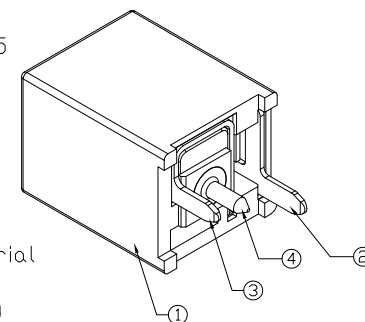
SECTION A-A

| REV. | ECN. NO. | APPD. |
|------|----------|-------|
|      |          |       |
|      |          |       |
|      |          |       |

MODEL CODE:

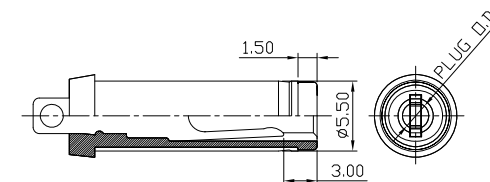
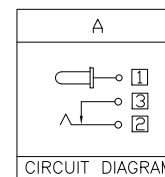
DCB0-01840- A □ 10 BK T H 3

- (1) (2) (3)(4)(5) (6)(7)(8) (9)  
 (1):Series type:DIP DC POWER JACK.  
 (2):Series No.  
 (3):Schematic option: A  
 (4):Center pin diameter:  
 G=∅1.65, H=∅2.0, J=∅2.5  
 (5):Material of housing:  
 10=PA10T  
 (6):Housing color:  
 BK=Black (Standard)  
 (7):Terminal plating:  
 T=Tin(Sn)  
 (8):Special option:  
 H=Halogen Free material  
 (9):Packing mode:  
 3=Plastic box packing



Specification:

- Rating: DC 20V 5.5A;
- Contact resistance: ≤50mΩ; After test: ≤100mΩ
- Insulation resistance: ≥100MΩ (500VDC);  
After test: ≥50MΩ
- Withstand voltage: 500VAC;
- Insertion and extraction force: 3N~30N;
- life test: 5000cycles;
- Operation temperature range: -20℃~70℃
- Preservative temperature range: -40℃~85℃



| Model No.    | G                                   | H                                   | J                                   |
|--------------|-------------------------------------|-------------------------------------|-------------------------------------|
| CENTER PIN   | ∅1.65 <sup>+0</sup> <sub>-0.1</sub> | ∅2.0 <sup>+0</sup> <sub>-0.1</sub>  | ∅2.5 <sup>+0</sup> <sub>-0.1</sub>  |
| DC PLUG D.D. | ∅1.7 <sup>+0.1</sup> <sub>-0</sub>  | ∅2.05 <sup>+0.1</sup> <sub>-0</sub> | ∅2.55 <sup>+0.1</sup> <sub>-0</sub> |

DC MATE PLUG

○: ITEM NO. □: TERMINAL NO.

| NO. | PARTS           | MATERIAL                | Q'TY | FINISHING   | TOLERANCE   | ANGLES   | UNITS              | 雅安科技有限公司<br>ACCURATE INNOTECH INC. |  |  |  |  |
|-----|-----------------|-------------------------|------|-------------|---|----------|--------------------|------------------------------------|--|--|--|--|
|     |                 |                         |      |             | .X ±0.38  | X.° ±5°  | mm                 |                                    |  |  |  |  |
| ④   | CONTACT PIN ①   | Copper Alloy            | 1    | Ni plating  | .XX ±0.30   | .X° ±3°  | MAT'L<br>SEE NOTE  | TITLE:<br>DIP DC POWER JACK        | PART NO.:<br>DCB0-01840                        |  |  |  |
| ③   | SHUNT CONTACT ③ | Copper Alloy            | 1    | Tin Plating | .XXX ±0.15  | .XX° ±2° | FINISH<br>SEE NOTE | DR:<br>Ricky 2023/10/27            | DWG NO.:<br>AB0-01840                          |  |  |  |
| ②   | TIP SPRING ②    | Copper Alloy            | 1    | Tin Plating | THESE DRAWINGS AND SPECIFICATIONS ARE THE PROPERTY OF ACCURATE INNOTECH INC AND SHALL NOT BE REPRODUCED, COPIED OR USED IN ANY MANNER WITHOUT THE PRIOR WRITTEN CONSENT OF ACCURATE INNOTECH INC. |          |                    | CHKD:<br>Ricky 2023/10/27          | SCALE SHEET REV. CUSTOMER<br>1:1 1/1 A DRAWING |  |  |  |
| ①   | Housing         | High-Temp THERMOPLASTIC | 1    | Black       |   |          |                    | Q'TY                               |  |  |  |  |