



RoHS Compliant
2002/95/EC

REV.	ECN. NO.	APPD.

MODEL CODE:

DCB0-01900- A □ 9T BK T 0 3

(1) (2) (3)(4)(5) (6)(7)(8) (9)

(1):Series type:DIP DC POWER JACK.

(2):Series No.

(3):Schematic option: A,B

(4):Center pin diameter:

G=φ1.65, H=φ2.0, J=φ2.5

(5):Material of housing:

9T=PA9T

(6):Housing color:

BK=Black

2Y=Red 032C

(7):Terminal plating:

T=Tin(Sn)

(8):Special option:

0=No special option

(9):Packing mode:

3=Tray packing

4=Bag packing

Specification:

1.Rating: DC 20V 5A.

2.Contact resistance: ≤20mΩ

After test: ≤100mΩ

3.Insulation resistance: ≥100MΩ (500VDC).

After test: ≥50MΩ

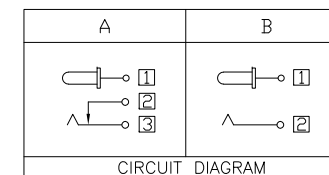
4.Withstanding voltage: 500V AC FOR 1 MINUTE.

5.Insertion and extraction force: 3N~30N.

6.life test: 5000cycles min.

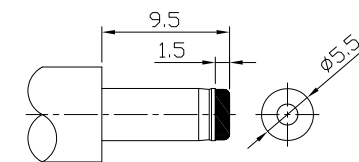
7.Operaton temperature range: -20℃~70℃.

8.Preservative temperature range: -40℃~85℃.



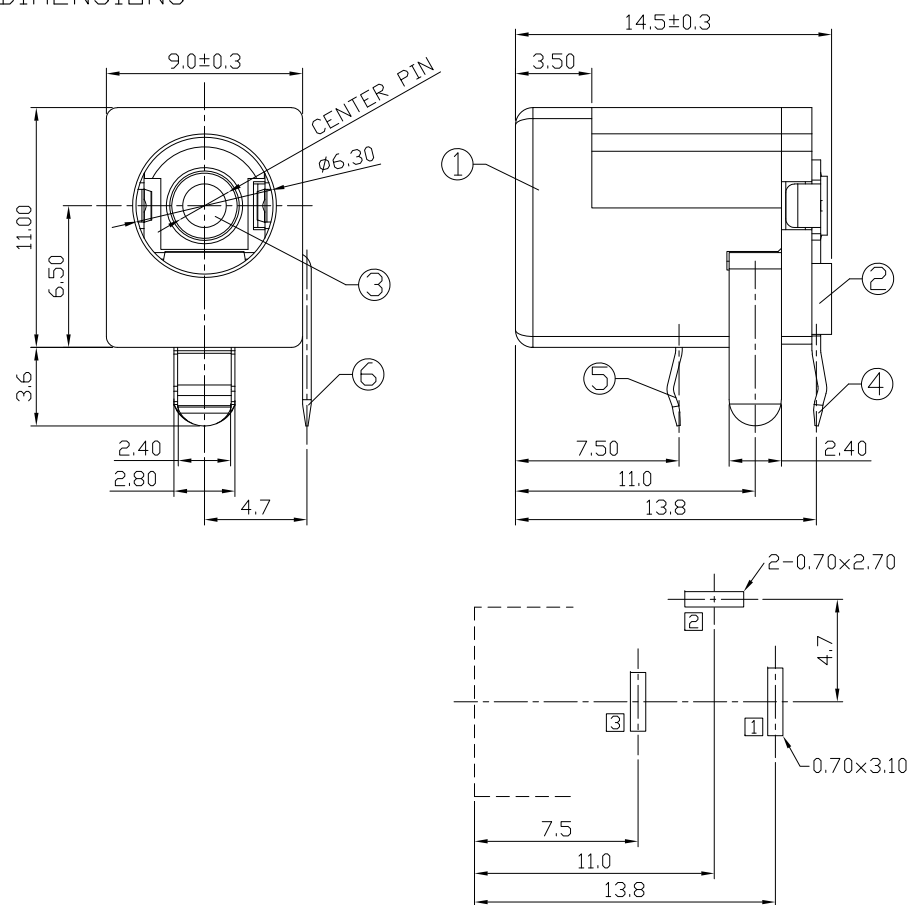
CIRCUIT DIAGRAM

Model No.	G	H	J
CENTER PIN	φ1.65	φ2.0	φ2.5



DC MATE PLUG

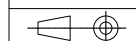
DIMENSIONS



Dimensions of PC board holes(Recomm)
Bottom View(t=1.6mm)
Tolerance:±0.05

○: ITEM NO. □: TERMINAL NO.

⑥	Shunt terminal ③	Brass	1	Tin 100u", Ni 50u"	TOLERANCE	ANGLES	UNITS	雅安科技有限公司 ACCURATE INNOTECH INC. TITLE: DIP DC POWER JACK PART NO.: DCB0-01900 DR: <i>Ricky</i> 2023/10/25 DWG NO.: AB0-01900 CHKD: <i>Ricky</i> 2023/10/25 APPD:
⑤	Tip spring ②	Phosphor bronze	1	Tin 100u", Ni 50u"	.X ±0.50	X° ±5°	mm	
④	Center pin terminal ①	Brass	1	Tin 100u", Ni 50u"	.XX ±0.30	.X° ±3°	MAT'L	
③	Center pin	Brass	1	Ni 50u"	.XXX ±0.15	.XX° ±2°	SEE NOTE	
②	Cover	PA9T,UL94V-0	1	Black	THESE DRAWINGS AND SPECIFICATIONS ARE THE PROPERTY OF ACCURATE INNOTECH INC AND SHALL NOT BE REPRODUCED, COPIED OR USED IN ANY MANNER WITHOUT THE PRIOR WRITTEN CONSENT OF ACCURATE INNOTECH INC.		FINISH	
①	Housing	PA9T,UL94V-0	1	Black/Red			SEE NOTE	
NO.	PARTS	MATERIAL	Q'TY	FINISHING			Q'TY	CUSTOMER DRAWING



SCALE	SHEET	REV.	CUSTOMER DRAWING
1:1	1/1	A	