

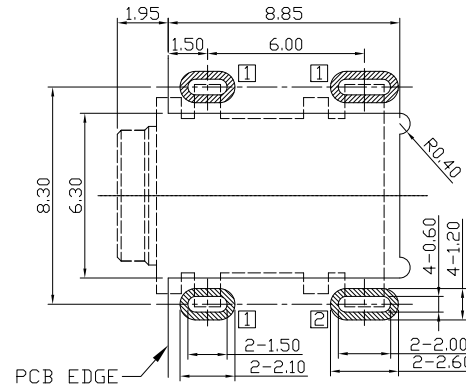
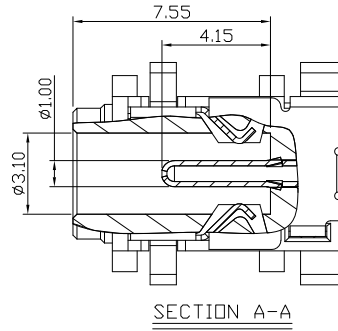
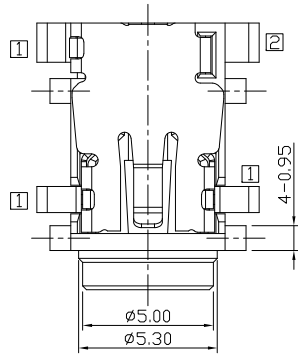


RoHS
Compliant
2002/95/EC

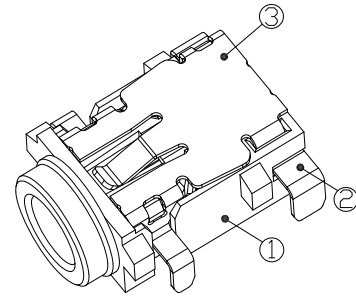
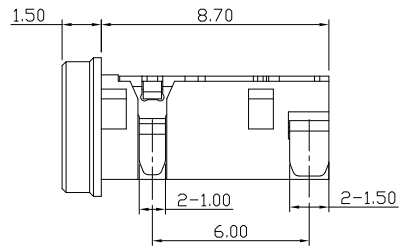
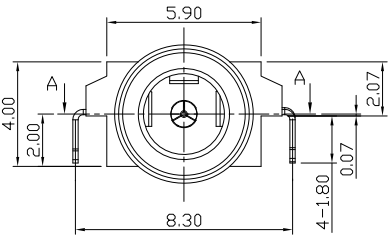
Halogen Free

REV.	ECN. NO.	APPD.

DIMENSIONS



RECOMMENDED P.C.B. LAYOUT
UNSPECIFIED TOLERANCE: ±0.05
(TOP VIEW)



3D VIEW

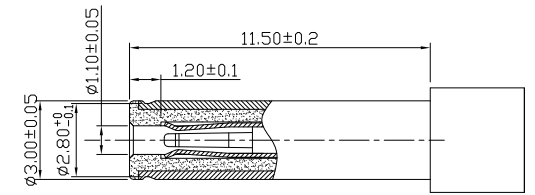
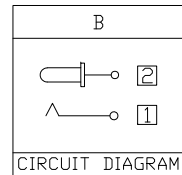
MODEL CODE:

DCB0-01970 - B C 10 BK G 0 1

- (1) (2) (3)(4) (5) (6)(7)(8) (9)
- (1):Series type:SMD DC POWER JACK.
- (2):Series No.
- (3):Schematic option: B
- (4):Center pin diameter:
C=∅1.00
- (5):Material of housing:
10=PA10T
- (6):Housing color:
BK=Black
- (7):Terminal plating:
G=Gold Flash(Au)
- (8):Special option:
0=No special option
- (9):Packing mode:
1=Tape Reel packing

Specification:

- 1.VOLTAGE&CURRENT RATING: DC 20V MAX & 3.0A.
- 2.CONTACT RESISTANCE: 60mΩ MAX(TEST AFTER).
- 3.INSULATION RESISTANCE: 100MΩ MIN.
- 4.DIELECTRIC WITHSTAND: 500V AC FOR 1 MINUTE.
- 5.Insertion and extraction force: 3N~30N;
- 6.LIFE TEST: 5000 CYCLES
- 7.Operation temperature range: -20℃~70℃
- 8.Preservative temperature range: -40℃~85℃



DC MATE PLUG

○: ITEM NO. □: TERMINAL NO.

NO.	PARTS	MATERIAL	Q'TY	FINISHING	TOLERANCE	ANGLES	UNITS	雅安科技有限公司 ACCURATE INNOTECH INC.					
					.X ±0.50	X.* ±5°	mm						
③	spring	① Copper Alloy,t=0.2mm	1	Contact area and solder area:gold flash under platingNi 40u" MIN.	.XX ±0.30	.X* ±3°	MAT'L	TITLE:	PART NO. DCB0-01970				
②	Center pin	② Copper Alloy,t=0.2mm	1		.XXX ±0.15	.XX* ±2°	SEE NOTE	DR: <i>Ricky</i> 2023/10/20	DWG NO.: AB0-01970				
①	Housing	PA10T(R630NH)+30%G.F	1		FINISH	SEE NOTE	CHKD: <i>Ricky</i> 2023/10/20	SCALE SHEET REV. CUSTOMER DRAWING					
					<small>THESE DRAWINGS AND SPECIFICATIONS ARE THE PROPERTY OF ACCURATE INNOTECH INC AND SHALL NOT BE REPRODUCED, COPIED OR USED IN ANY MANNER WITHOUT THE PRIOR WRITTEN CONSENT OF ACCURATE INNOTECH INC.</small>			Q'TY	APPD:	1:1	1/1	A	