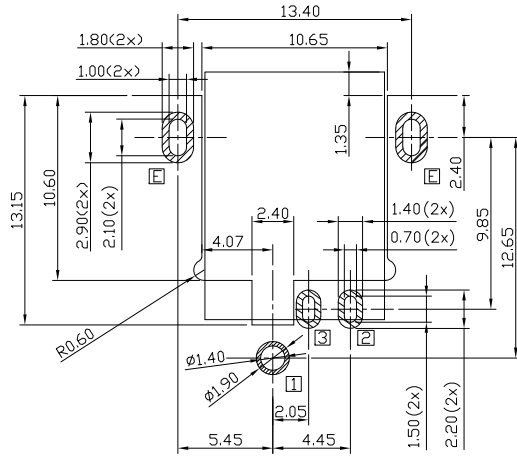
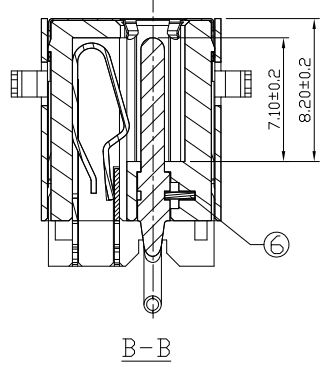
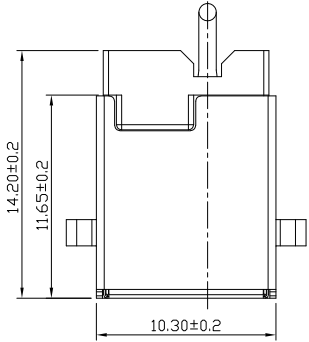




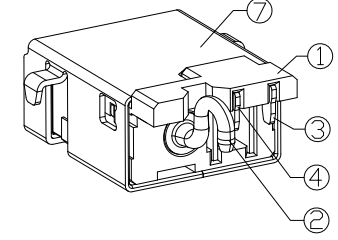
RoHS Compliant  
2002/95/EC

REV.	ECN. NO.	APPD.

DIMENSIONS

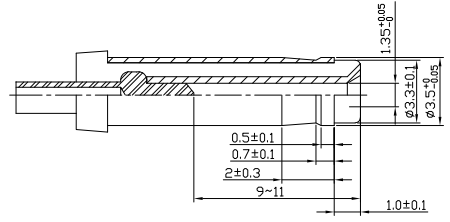
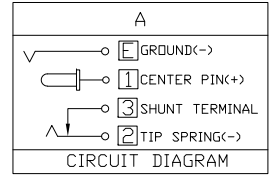
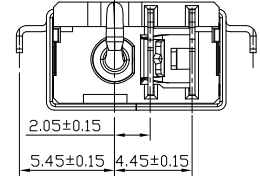
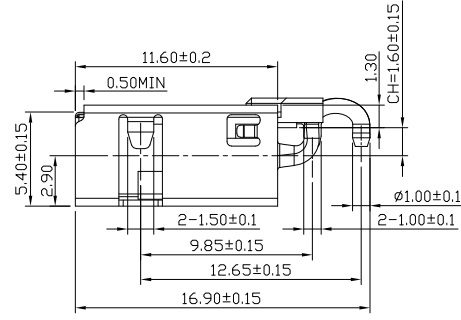
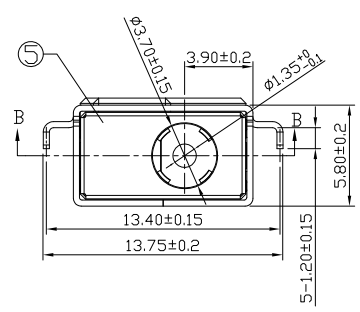


PCB HOLES(TOP VIEW) t=1.3mm  
NOTE:GENERAL TOLERANCE:±0.05mm



MODEL CODE:  
DCB0-02080 - A E LC BK G 0 1  
(1) (2) (3)(4) (5) (6)(7)(8) (9)  
(1):Series type:SMD DC POWER JACK.  
(2):Series No.  
(3):Schematic option: A  
(4):Center pin diameter:  
E=φ1.35  
(5):Material of housing:  
LC=LCP  
(6):Housing color:  
BK=Black (Standard)  
(7):Terminal plating:  
G=Gold(Gold flash)  
(8):Special option:  
0=No special option  
(9):Packing mode:  
1=Tape&Reel packing

Specification:  
1.Rating: DC 20V 7A.  
2.Contact resistance: ≤30mΩ  
After life test:≤50mΩ  
3.Insulation resistance: ≥100MΩ (500VDC).  
After life test: ≥50MΩ  
4.Withstand voltage: 500VAC.  
5.Insertion and extraction force:  
Initial : 10N~30N.  
After life test: 7N~30N.  
6.life test: 10000cycles min.  
7.Operation temperature range: -20℃~70℃.  
8.Preservative temperature range: -40℃~85℃.



○: ITEM NO. □: TERMINAL NO.

NO.	PARTS	MATERIAL	Q'TY	FINISHING
7	SHELL	C2680-H t=0.35	1	All over Ni 40u" Min.
6	Terminal	Copper Alloy	1	All over Ni 40u" Min.
5	Grounding	SUS301-H t=0.10	1	N/A
4	Shunt terminal	C2680-H t=0.30	1	All over Gold flash
3	Tip spring	C5210-EH t=0.30	1	All over Gold flash
2	Center pin	Brass	1	G/F 1u" Min,All over Ni 40u Min.
1	Housing	LCP 30%GF	1	Black

TOLERANCE	ANGLES	UNITS
.X ±0.38	X.* ±5°	mm
.XX ±0.30	.X.* ±3°	MAT'L
.XXX ±0.15	.XX.* ±2°	SEE NOTE
		FINISH
		SEE NOTE
		Q'TY

THESE DRAWINGS AND SPECIFICATIONS ARE THE PROPERTY OF ACCURATE INNOTECH INC AND SHALL NOT BE REPRODUCED, COPIED OR USED IN ANY MANNER WITHOUT THE PRIOR WRITTEN CONSENT OF ACCURATE INNOTECH INC.

雅安科技有限公司 ACCURATE INNOTECH INC.			
TITLE: SMD DC POWER JACK		PART NO.: DCB0-02080	
DR: Ricky 2023/10/23		DWG NO.: AB0-02080	
CHKD: Ricky 2023/10/23		SCALE	SHEET
APPD:		1:1	1/1
		REV.	CUSTOMER DRAWING
		A	