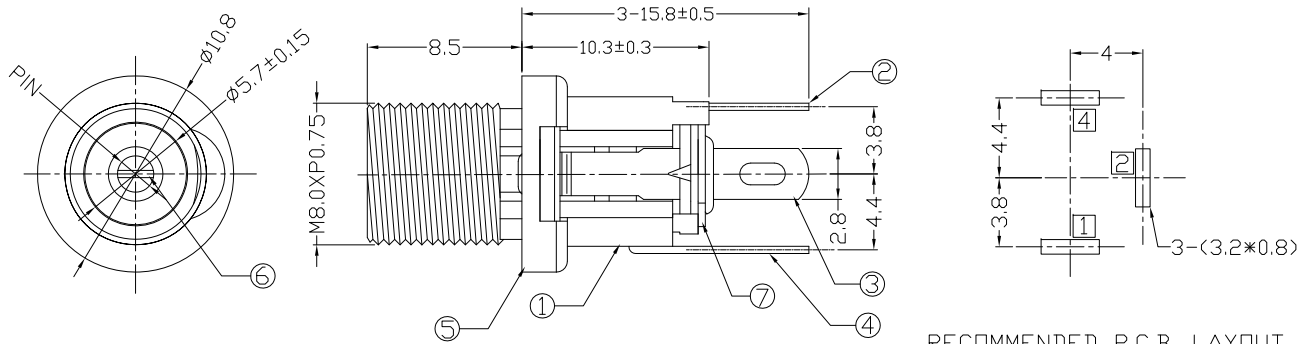




RoHS Compliant
2002/95/EC

REV.	ECN. NO.	APPD.

DIMENSIONS



RECOMMENDED P.C.B. LAYOUT
UNSPECIFIED TOLERANCE: ±0.05
(TOP VIEW)

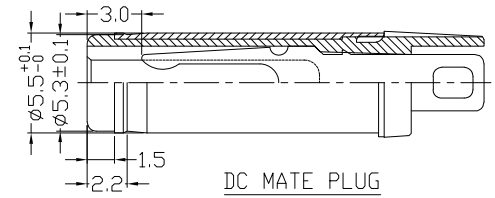
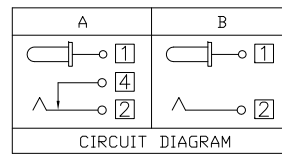
MODEL CODE:

DCB0-025BM- A □ PB BK C 0 4

- (1): Series type: DIP DC POWER JACK.
- (2): Series No.
- (3): Schematic option: A , B
- (4): Center pin diameter:
H=∅2.0 , I=∅2.35 , J=∅2.5
- (5): Material of housing:
PB=PBT (Only)
- (6): Housing color:
BK=Black (Only)
- (7): Terminal plating
S=Silver(Ag)
T=Tin(Sn)
C=copper&tin alloy plating (Standard)
- (8): Special option:
0=No special option
- (9): Packing mode:
4=Bag packing

SPECIFICATION:

- 1. Rating : DC 30V 3A;
- 2. Contact resistance: ≤30mΩ;
After test: ≤50mΩ
- 3. Insulation resistance: ≥100MΩ (DC500V);
After test: ≥50MΩ
- 4. Withstand voltage: 500VAC ;
- 5. Insertion and extraction force: 3-30N;
- 6. life test: 5,000 cycles;
- 7. Operation temperature range: -20°C~70°C;
- 8. Preservative temperature range: -40°C~85°C;



Model No.	H	I	J
CENTER PIN	∅2.0	∅2.35	∅2.5

○: ITEM NO. □: TERMINAL NO.

NO.	PARTS	MATERIAL	Q'TY	FINISHING
⑨	Washer	Stel	1	Ni-plating
⑧	Nut	Brass	1	Ni-plating
⑦	Washer	Bakelite	2	
⑥	Pin	Bronze	1	Ni-plating
⑤	Bushing	Brass	1	Ni-plating
④	Shunt Terminal ④	Brass	1	Cu-Sn-Plating
③	Tip Spring ②	Phosphor bronze	1	Cu-Sn-Plating
②	Center pin terminal ①	Brass	1	Cu-Sn-Plating
①	Housing	PBT	1	Black

THESE DRAWINGS AND SPECIFICATIONS ARE THE PROPERTY OF ACCURATE INNOTECH INC AND SHALL NOT BE REPRODUCED, COPIED OR USED IN ANY MANNER WITHOUT THE PRIOR WRITTEN CONSENT OF ACCURATE INNOTECH INC.

TOLERANCE	ANGLES	UNITS	雅安科技有限公司 ACCURATE INNOTECH INC.			
±0.3	±2°	mm				
MAT'L	SEE NOTE	TITLE:	DIP DC POWER JACK			
FINISH	SEE NOTE	DR:	Ricky	2019/04/10	PART NO.:	
Q'TY	CHKD:	Ricky	2019/04/10	DWG NO.:		DCB0-025BM
APPD:	SCALE	1:1	SHEET	1/1	REV.	A
	CUSTOMER DRAWING					