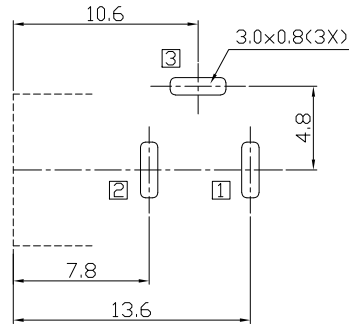
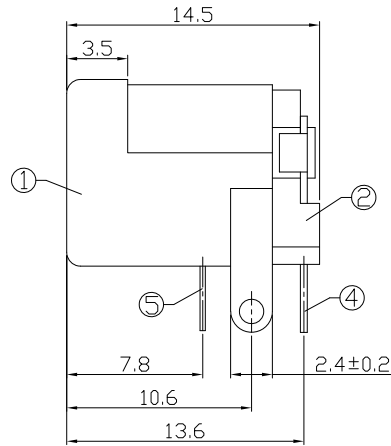
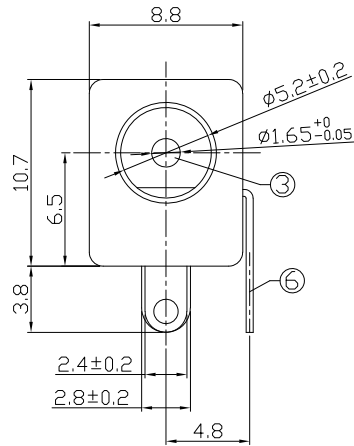




RoHS  
Compliant  
2002/95/EC

REV.	ECN. NO.	APPD.

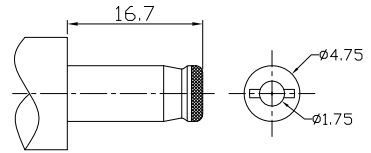
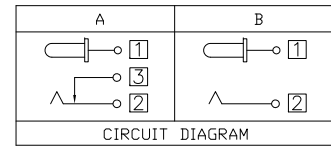
DIMENSIONS



RECOMMENDED P.C.B. LAYOUT  
UNSPECIFIED TOLERANCE:±0.05  
(BOTTOM VIEW)

MODEL CODE:  
DCB0-5005C- A G PB BK I 0 4  
(1) (2) (3)(4) (5) (6) (7)(8) (9)  
(1):Series type:DIP DC POWER JACK.  
(2):Series No.  
(3):Schematic option: A , B  
(4):Center pin diameter:  
G=φ0.65  
(5):Material of housing:  
PB=PBT , 9T=PA9T  
(6):Housing color:  
BK=Black  
4P=Yellow(Pantone 114C)  
(7):Terminal plating  
T=Tin(Sn)  
(8):Special option:  
0=No special option  
(9):Packing mode:  
4=Bag packing

SPECIFICATION:  
1.Rating : DC 20V 3A;  
2.Contact resistance: ≤30mΩ;  
After test:≤50mΩ  
3.Insulation resistance: ≥100MΩ (DC500V);  
After test:≥50MΩ  
4.Withstand voltage: 500VAC ;  
5.Insertion and extraction force: 3-30N;  
6.life test: 5,000 cycles;  
7.Operation temperature range:-20°C~70°C;  
8.Preservative temperature range:-40°C~85°C;



○: ITEM NO. □: TERMINAL NO.

⑥	Shunt terminal ③	Brass t=0.4	1	Tin Plating	TOLERANCE	ANGLES	UNITS mm
⑤	Tip spring ②	Phosphor bronze t=0.3	1	Tin Plating	±0.3	±2°	MAT'L
④	Center pin terminal ①	Brass t=0.4	1	Tin Plating			SEE NOTE
③	Center pin	Copper alloy	1	Nickel plating			FINISH
②	Cover	PBT/PA9T	1	Black			SEE NOTE
①	Housing	PBT/PA9T	1	See p/n info			Q'TY
NO.	PARTS	MATERIAL	Q'TY	FINISHING			

THESE DRAWINGS AND SPECIFICATIONS ARE THE PROPERTY OF ACCURATE INNOTECH INC AND SHALL NOT BE REPRODUCED, COPIED OR USED IN ANY MANNER WITHOUT THE PRIOR WRITTEN CONSENT OF ACCURATE INNOTECH INC.

雅安科技有限公司  
ACCURATE INNOTECH INC.

TITLE: DIP DC POWER JACK PART NO.: DCB0-5005C

DR: Ricky 2019/05/06 DWG NO.: AB0-5005C

CHKD: Ricky 2019/05/06

APPD:

SCALE	SHEET	REV.	CUSTOMER
1:1	1/1	A	DRAWING