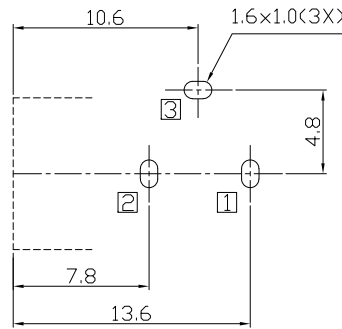
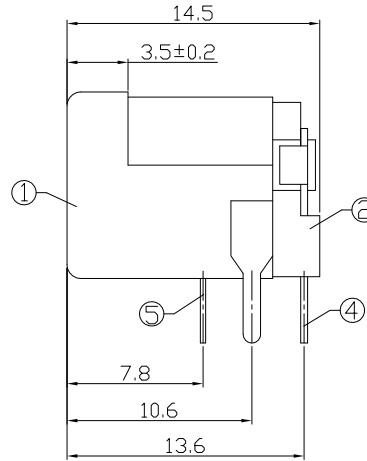
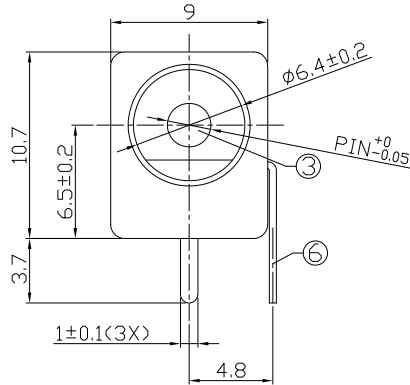




RoHS
Compliant
2002/95/EC

REV.	ECN.	NO.	APPD.

DIMENSIONS



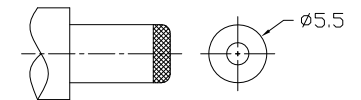
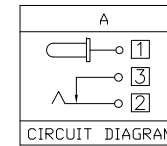
RECOMMENDED P.C.B. LAYOUT
UNSPECIFIED TOLERANCE:±0.05
(BOTTOM VIEW)

MODEL CODE:

- DCB0-5006B- A □ PB BK I 0 3
 (1) (2) (3)(4) (5) (6) (7)(8) (9)
 (1):Series type:DIP DC POWER JACK.
 (2):Series No.
 (3):Schematic option: A
 (4):Center pin diameter:
 H=φ2.0 , I=φ2.35 , J=φ2.5
 (5):Material of housing:
 PB=PBT (Standard)
 (6):Housing color:
 BK=Black
 (7):Terminal plating
 T=Tin(Sn)
 (8):Special option:
 0=Center pin CuSn plating
 N=Center pin Nickel plating
 (9):Packing mode:
 3=Plastic box packing
 4=Bag packing

SPECIFICATION:

- Rating : DC 20V 3A;
- Contact resistance: ≤30mΩ;
After test:≤50mΩ
- Insulation resistance: ≥100MΩ (DC500V);
After test:≥50MΩ
- Withstand voltage: 500VAC ;
- Insertion and extraction force: 3-30N;
- life test: 5,000 cycles;
- Operation temperature range:-20°C~70°C;
- Preservative temperature range:-40°C~85°C;



Model No.	H	I	J
CENTER PIN	φ2.0	φ2.35	φ2.5

○: ITEM NO. □: TERMINAL NO.

⑥	Shunt terminal ③	Brass t=0.4	1	Tin plating	TOLERANCE	ANGLES	UNITS mm
⑤	Tip spring ②	Phosphor bronze t=0.3	1	Tin plating	±0.3	±2°	MAT'L
④	Center pin terminal ①	Brass t=0.4	1	Tin plating			SEE NOTE
③	Center pin ①	Copper alloy	1	CuSn/Nickel plating			FINISH
②	Cover	PBT	1	Black			SEE NOTE
①	Housing	PBT	1	Black			Q'TY
NO.	PARTS	MATERIAL	Q'TY	FINISHING	THESE DRAWINGS AND SPECIFICATIONS ARE THE PROPERTY OF ACCURATE INNOTECH INC AND SHALL NOT BE REPRODUCED, COPIED OR USED IN ANY MANNER WITHOUT THE PRIOR WRITTEN CONSENT OF ACCURATE INNOTECH INC.		

雅安科技有限公司 ACCURATE INNOTECH INC.			
TITLE: DIP DC POWER JACK		PART NO.: DCB0-5006B	
DR: <i>Ricky</i> 2019/05/06		DWG NO.: AB0-5006B	
CHKD: <i>Ricky</i> 2019/05/06		SCALE	SHEET
APPD:	1:1	1/1	REV. A
		CUSTOMER DRAWING	