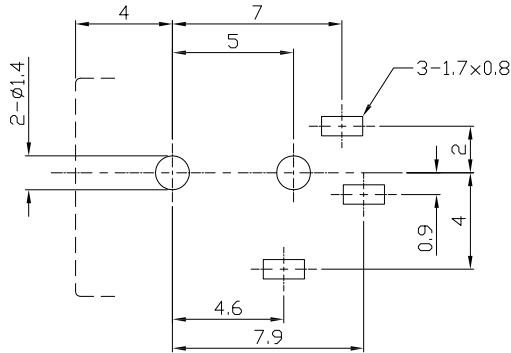
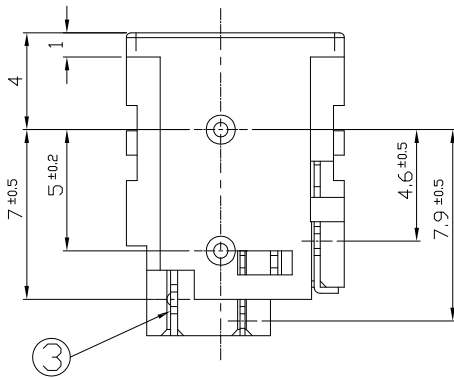
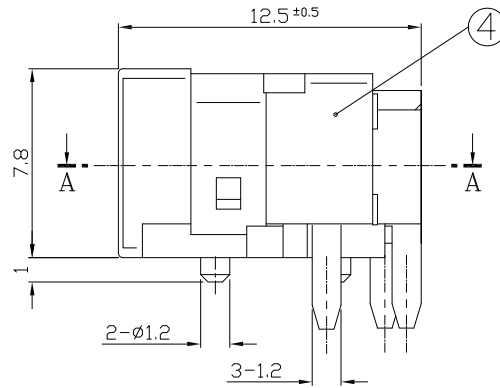
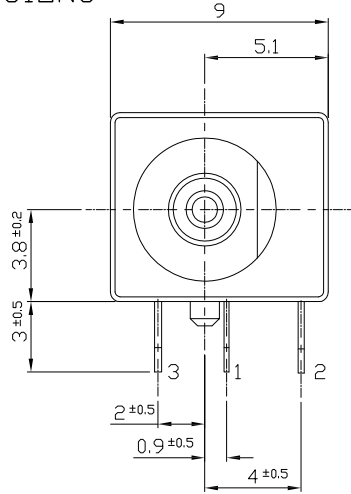




RoHS
Compliant
2002/95/EC

REV.	ECN. NO.	APPD.

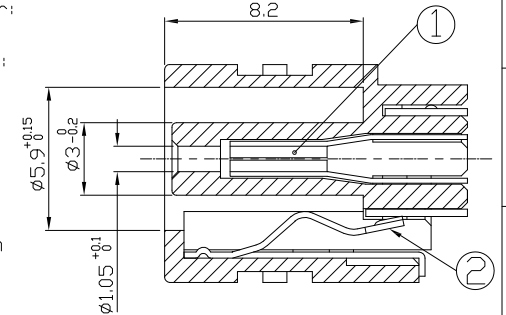
DIMENSIONS



PC BOARD HOLE LAYOUT
(UPPER VIEW FROM DIRECTION OF INSERTION TO PCB)

MODEL CODE:

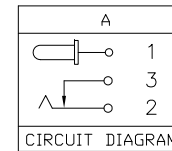
DCD0-39000- A C PB BK S 0 4
 (1) (2) (3)(4) (5) (6) (7)(8) (9)
 (1):Series type:DC POWER JACK.
 (2):Series No.
 (3):Schematic option: A
 (4):Center pin diameter:
 C=∅0.95mm
 (5):Material of housing:
 PB=PBT
 (6):Housing color:
 BK=Black
 (7):Terminal plating:
 S=Silver(Ag)
 (8):Special option:
 0=No special option
 (9):Packing mode:
 4=Bag packing



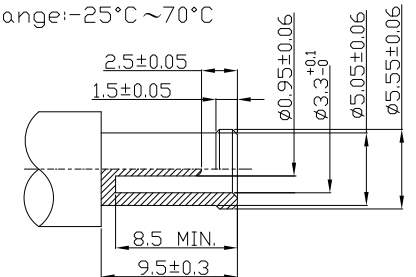
SECTION AA

Specification:

- 1.Rating : DC 13.5V 2A.
- 2.Contact resistance : ≤30mΩ
- 3.Insulation resistance : ≥100MΩ (500V DC).
- 4.Withstanding voltage : 500VAC.
- 5.Insertion and extraction force : 0.3~3Kgs.
- 6.Life test : 5,000 cycles min.
- 7.Operation temperature range:-25°C~70°C



Model No.	C
CENTER PIN	∅0.95mm



DC MATE PLUG

Bill of materials:

NO.	PARTS	MATERIAL	Q'TY	FINISHING
④	CASING	PBT/GF RESIN	1	UL94V-0
③	FIXED TERMINAL	BRASS 0.3t	1	Ag-PLATED
②	TIP SPRING	COPPER ALLOY 0.25t	1	Ag-PLATED
①	EARTH PIN	PBS 0.2t	1	Ag-PLATED

TOLERANCE	ANGLES	UNITS	mm
X≤5=±0.10		MAT'L	
X> 5=±0.30		SEE NOTE	
		FINISH	
		SEE NOTE	
		Q'TY	

雅安科技有限公司 ACCURATE INNOTECH INC.			
TITLE: DC POWER JACK		PART NO.: DCD0-39000	
DR: Ricky 2019/08/27		DWG NO.: AD0-39000	
CHKD: Ricky 2019/08/27		SCALE	SHEET
APPD:		1:1	1/1
		REV.	CUSTOMER
		A	DRAWING

THESE DRAWINGS AND SPECIFICATIONS ARE THE PROPERTY OF ACCURATE INNOTECH INC AND SHALL NOT BE REPRODUCED, COPIED OR USED IN ANY MANNER WITHOUT THE PRIOR WRITTEN CONSENT OF ACCURATE INNOTECH INC.