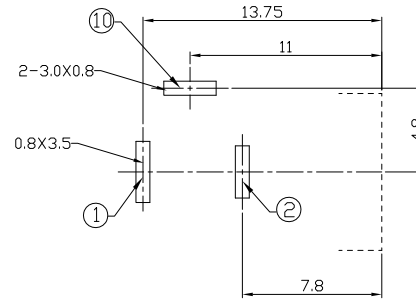
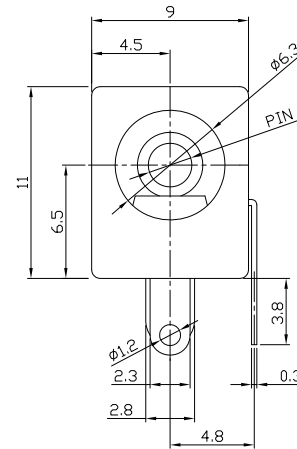
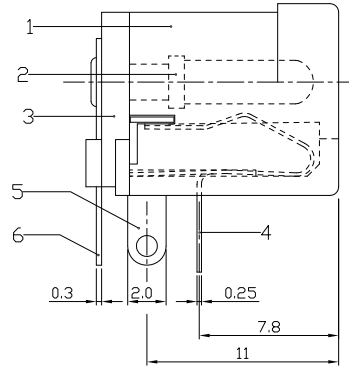
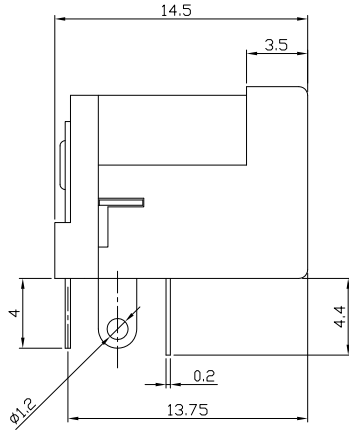




RoHS  
Compliant  
2002/95/EC

REV.	ECN.	NO.	APPD.

DIMENSIONS



P.C.B LAYOUT

MODEL CODE:

DCE0-02101- A □ 66 BK S 0 4

(1) (2) (3)(4) (5) (6) (7)(8) (9)

(1):Series type:DIP DC POWER JACK.

(2):Series No.

(3):Schematic option: A

(4):Center pin diameter:

H=φ2.0 , I=φ2.35 , J=φ2.5

(5):Material of housing:

66=PA66

(6):Housing color:

BK=Black

(7):Terminal plating

S=Silver(Ag)

(8):Special option:

0=No special option

(9):Packing mode:

4=Bag packing

Specification:

1.Rating : DC 30V 0.3A.

2.Contact resistance : ≤100mΩ.

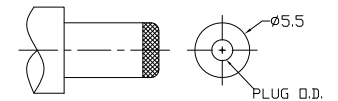
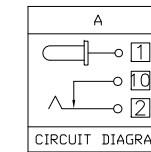
3.Insulation resistance : ≥100MΩ (500VDC).

4.Withstanding voltage: 500VAC .

5.Insertion and extraction force: 0.3~3Kgs.

6.life test: 5000cycles min.

7.Operation temperature range:-25°C~85°C



DC MATE PLUG

Model No.	H	I	J
CENTER PIN	φ2.0	φ2.35	φ2.5
PLUG O.D.	2.05 <sup>+0.10</sup> <sub>-0.00</sub>	2.40 <sup>+0.10</sup> <sub>-0.00</sub>	2.55 <sup>+0.10</sup> <sub>-0.00</sub>

Bill of materials:

NO.	PARTS	MATERIAL	Q'TY	FINISHING
6	TERMINAL	BRASS STRIP	1	Ag PLATED
5	TERMINAL	BRASS STRIP	1	Ag PLATED
4	SPRING TERMINAL	SUS	1	Ag PLATED
3	COVER	NYLON	1	BLACK
2	PLUG PIN	BRASS	1	Ni PLATED
1	CASE	NYLON	1	BLACK

GENERAL TOLERANCE  
WITHIN 1.5mm±0.1mm  
OVER 1.5mm±0.2mm

UNITS mm

MAT'L  
SEE NOTE

FINISH  
SEE NOTE

Q'TY

THESE DRAWINGS AND SPECIFICATIONS ARE THE PROPERTY OF ACCURATE INNOTECH INC AND SHALL NOT BE REPRODUCED, COPIED OR USED IN ANY MANNER WITHOUT THE PRIOR WRITTEN CONSENT OF ACCURATE INNOTECH INC.

<b>雅安科技有限公司</b> <b>ACCURATE INNOTECH INC.</b>			
TITLE: DIP DC POWER JACK		PART NO.: DCE0-02101	
DR: <i>Ricky</i> 2019/03/18		DWG NO.: AZJ-02101	
CHKD: <i>Ricky</i> 2019/03/18		SCALE 1:1	SHEET 1/1
APPD:		REV. A	CUSTOMER DRAWING