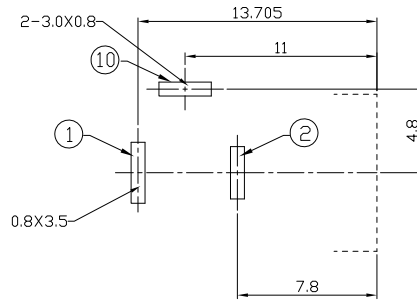
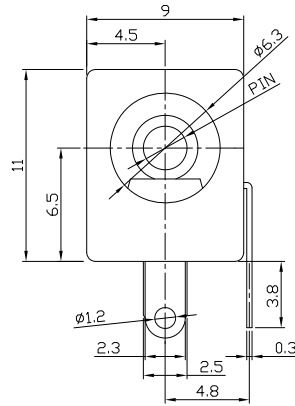
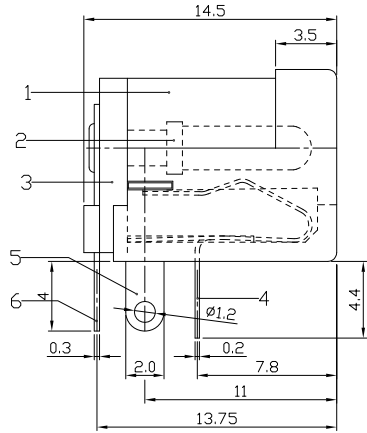




RoHS
Compliant
2002/95/EC

REV.	ECN.	NO.	APPD.

DIMENSIONS



P.C.B LAYOUT

MODEL CODE:

DCE0-02102- A □ 66 BK S 0 4

(1) (2) (3)(4) (5) (6) (7)(8) (9)

(1):Series type:DIP DC POWER JACK.

(2):Series No.

(3):Schematic option: A

(4):Center pin diameter:

H=∅2.0 , I=∅2.35 , J=∅2.5

(5):Material of housing:

66=PA66

(6):Housing color:

BK=Black

(7):Terminal plating

S=Silver(Ag)

(8):Special option:

0=No special option

(9):Packing mode:

4=Bag packing

Specification:

1.Rating :DC 30V 0.3A.

2.Contact resistance :≤100mΩ.

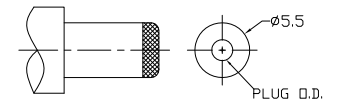
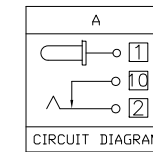
3.Insulation resistance : ≥100MΩ (500VDC).

4.Withstanding voltage: 500VAC .

5.Insertion and extraction force: 0.3~3Kgs.

6.life test: 5000cycles min.

7.∅peration temperature range:-25°C ~85°C



DC MATE PLUG

Model No.	H	I	J
CENTER PIN	∅2.0	∅2.35	∅2.5
PLUG O.D.	2.05 ^{+0.10} / _{-0.00}	2.40 ^{+0.10} / _{-0.00}	2.55 ^{+0.10} / _{-0.00}

Bill of materials:

NO.	PARTS	MATERIAL	Q'TY	FINISHING
6	TERMINAL	BRASS STRIP	1	Ag PLATED
5	TERMINAL	BRASS STRIP	1	Ag PLATED
4	SPRING TERMINAL	SUS	1	Ag PLATED
3	COVER	PA6T/NYLON+F.G	1	BLACK
2	PLUG PIN	BRASS	1	Ni PLATED
1	CASE	PA6T/NYLON+F.G	1	BLACK

GENERAL TOLERANCE UNITS mm
 WITHIN 1.5mm±0.1mm MAT'L
 OVER 1.5mm±0.2mm SEE NOTE
 FINISH SEE NOTE
 THESE DRAWINGS AND SPECIFICATIONS ARE THE PROPERTY OF ACCURATE INNOTECH INC AND SHALL NOT BE REPRODUCED, COPIED OR USED IN ANY MANNER WITHOUT THE PRIOR WRITTEN CONSENT OF ACCURATE INNOTECH INC.

UNITS	mm	雅安科技有限公司 ACCURATE INNOTECH INC.			
MAT'L	SEE NOTE				
FINISH	SEE NOTE	TITLE:	PART NO.:		
Q'TY	SEE NOTE	DIP DC POWER JACK	DCE0-02102		
		DR: Ricky 2019/03/18	DWG NO.:		
		CHKD: Ricky 2019/03/18	AZJ-02102		
		APPD:	SCALE	SHEET	REV.
			1:1	1/1	A
			CUSTOMER DRAWING		