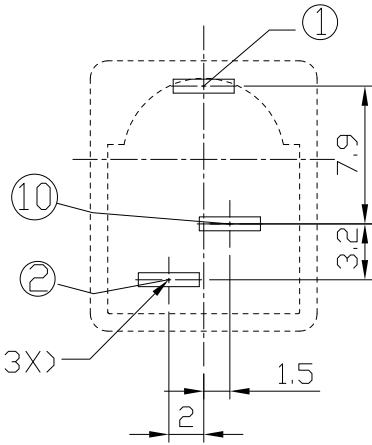
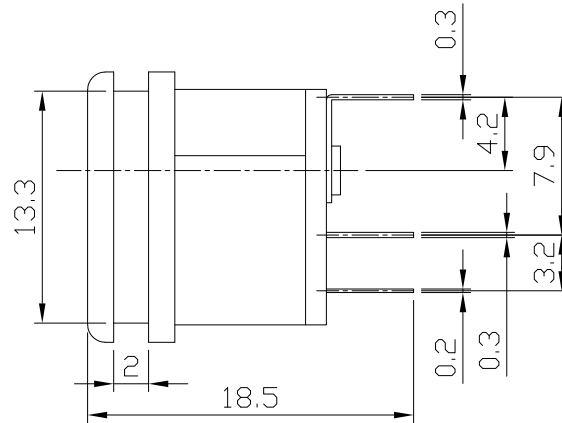
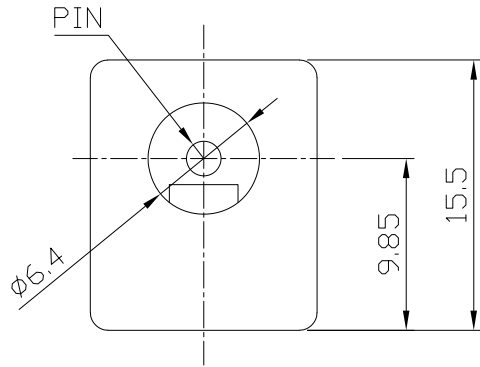




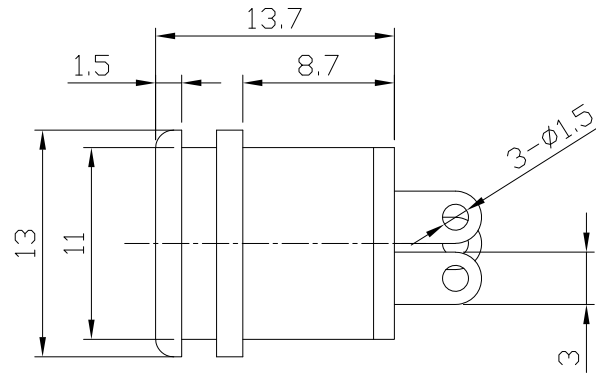
RoHS
Compliant
2002/95/EC

REV.	ECN.	NO.	APPD.

DIMENSIONS



P.C.B LAYOUT



MODEL CODE:

DCE0-02290- A □ PC BK S 0 4

(1) (2) (3)(4) (5) (6) (7)(8) (9)

(1):Series type:DIP DC POWER JACK.

(2):Series No.

(3):Schematic option: A

(4):Center pin diameter:

H=Ø2.0 , I=Ø2.35 , J=Ø2.5, X=Ø2.7

(5):Material of housing:

PC=PC

(6):Housing color:

BK=Black

(7):Terminal plating

S=Silver(Ag)

(8):Special option:

0=No special option

(9):Packing mode:

4=Bag packing

Specification:

1.Rating : DC 30V 0.3A.

2.Contact resistance : ≤100mΩ

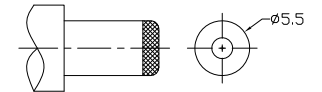
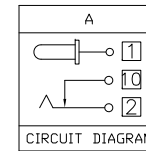
3.Insulation resistance : ≥100MΩ (500VDC).

4.Withstanding voltage : 500VAC .

5.Insertion and extraction force : 0.3~3Kgs.

6.life test : 5000cycles min.

7.Øperation temperature range:-25°C ~85°C



DC MATE PLUG

Model No.	H	I	J	X
CENTER PIN	Ø2.0	Ø2.35	Ø2.5	Ø2.7

Bill of materials:

NO.	PARTS	MATERIAL	Q'TY	FINISHING
6	TERMINAL	BRASS STRIP	1	Ag PLATED
5	TERMINAL	BRASS STRIP	1	Ag PLATED
4	SPRING TERMINAL	PBS	1	Ag PLATED
3	TERMINAL BASE	PHENOLIC RESIN	1	NATURAL
2	PLUG PIN	BRASS	1	Ag PLATED
1	CASE	PC	1	BLACK/WHITE

GENERAL TOLERANCE
UNITS mm
WITHIN 1.5mm±0.1mm
MAT'L
OVER 1.5mm±0.2mm
SEE NOTE
FINISH
SEE NOTE
Q'TY

THESE DRAWINGS AND SPECIFICATIONS ARE THE PROPERTY OF ACCURATE INNOTECH INC AND SHALL NOT BE REPRODUCED, COPIED OR USED IN ANY MANNER WITHOUT THE PRIOR WRITTEN CONSENT OF ACCURATE INNOTECH INC.

雅安科技有限公司 ACCURATE INNOTECH INC.		PART NO.: DCE0-02290	
TITLE: DIP DC POWER JACK		DWG NO.: AZJ-02290	
DR: Ricky 2019/03/19		CHKD: Ricky 2019/03/19	
APPD:	SCALE: 1:1	SHEET: 1/1	REV: A
CUSTOMER DRAWING			