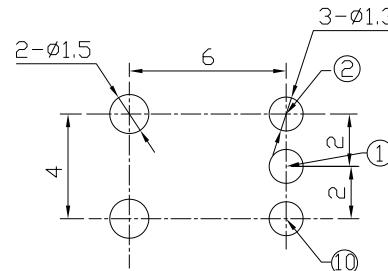
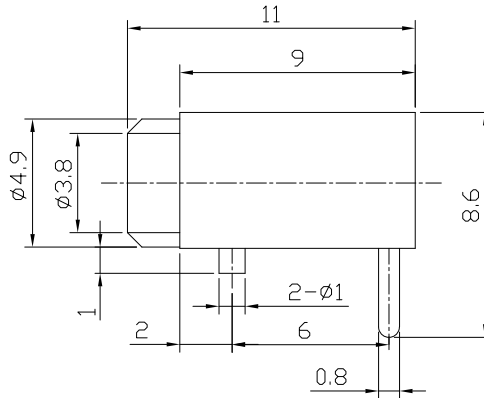
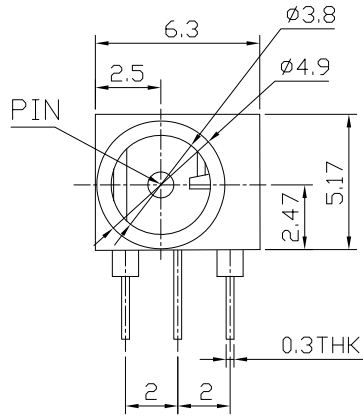




RoHS
Compliant
2002/95/EC

REV.	ECN. NO.	APPD.

DIMENSIONS



P.C.B LAYOUT

MODEL CODE:

DCE0-04130- A □ 66 BK S 0 4

(1) (2) (3)(4) (5) (6) (7)(8) (9)

(1):Series type:DIP DC POWER JACK.

(2):Series No.

(3):Schematic option: A

(4):Center pin diameter:

C=ø1.0 , E=ø1.3

(5):Material of housing:

66=PA66

(6):Housing color:

BK=Black

(7):Terminal plating

S=Silver(Ag)

(8):Special option:

0=No special option

(9):Packing mode:

4=Bag packing

Specification:

1.Rating : DC 30V 0.3A.

2.Contact resistance : ≤100mΩ.

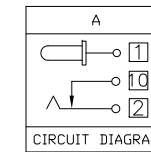
3.Insulation resistance : ≥100MΩ (500VDC).

4.Withstanding voltage : 500VAC .

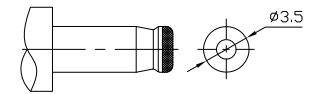
5.Insertion and extraction force : 0.3~3Kgs.

6.life test : 5000cycles min.

7.Operaton temperature range:-25°C~85°C



Model No.	C	E
CENTER PIN	ø1.0	ø1.3



DC MATE PLUG

Bill of materials:

NO.	PARTS	MATERIAL	Q'TY	FINISHING
6	PIN	BRASS	1	Ni PLATED
5	COVER	NYLON+F.G	1	BLACK
4	TERMINAL	BRASS STRIP	1	Ag PLATED
3	SPRING TERMINAL	PBS STRIP	1	Ag PLATED
2	TERMINAL	BRASS STRIP	1	Ag PLATED
1	CASE	NYLON+F.G	1	BLACK

GENERAL TOLERANCE mm
 WITHIN 1.5mm±0.1mm
 OVER 1.5mm±0.2mm

UNITS mm
 MAT'L SEE NOTE
 FINISH SEE NOTE
 Q'TY

THESE DRAWINGS AND SPECIFICATIONS ARE THE PROPERTY OF ACCURATE INNOTECH INC AND SHALL NOT BE REPRODUCED, COPIED OR USED IN ANY MANNER WITHOUT THE PRIOR WRITTEN CONSENT OF ACCURATE INNOTECH INC.

雅安科技有限公司 ACCURATE INNOTECH INC.			
TITLE: DIP DC POWER JACK		PART NO.: DCE0-04130	
DR: <i>Ricky</i> 2019/03/20		DWG NO.: AZJ-04130	
CHKD: <i>Ricky</i> 2019/03/20		SCALE	SHEET
APPD:		1:1	1/1
		REV.	CUSTOMER DRAWING
		A	