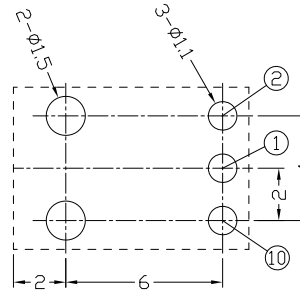
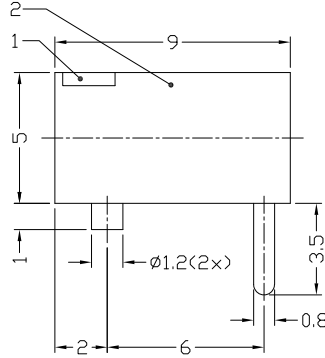
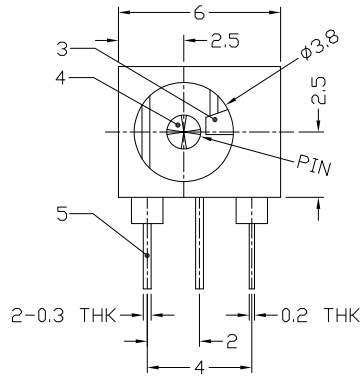




RoHS
Compliant
2002/95/EC

REV.	ECN. NO.	APPD.

DIMENSIONS



P.C.B LAYOUT
BOTTOM VIEW

MODEL CODE:

DCJ0-02130- A E 66 BK S 0 4

(1) (2) (3)(4) (5) (6) (7)(8) (9)

(1):Series type:DIP DC POWER JACK.

(2):Series No.

(3):Schematic option: A

(4):Center pin diameter:

C=Ø1.0 , E=Ø1.3

(5):Material of housing:

66=PA66

(6):Housing color:

BK=Black

(7):Terminal plating

S=Silver(Ag)

(8):Special option:

0=No special option

(9):Packing mode:

4=Bag packing

Specification:

1.Rating : DC 30V 0.3A.

2.Contact resistance : ≤100mΩ.

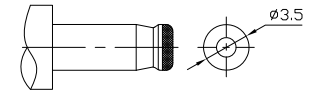
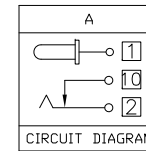
3.Insulation resistance : ≥100MΩ (500VDC).

4.Withstanding voltage : 500VAC .

5.Insertion and extraction force : 0.3~3Kgs.

6.life test : 5000cycles min.

7. Operation temperature range:-25°C ~85°C



DC MATE PLUG

Model No.	C	E
CENTER PIN	Ø1.0	Ø1.3

Bill of materials:

NO.	PARTS	MATERIAL	Q'TY	FINISHING
5	TERMINAL	BRASS	1	Ag PLATED OVER Ni PLATED
4	PLUG PIN	BRASS	1	Ag PLATED OVER Ni PLATED
3	SPRING TERMINAL	SUS STRIP	1	Ag PLATED OVER Ni PLATED
2	CASE	NYLON66+94V0+F.G	1	BLACK
1	COVER	NYLON66+94V0+F.G	1	BLACK

GENERAL TOLERANCE
WITHIN 1.5mm±0.1mm
OVER 1.5mm±0.2mm

THESE DRAWINGS AND SPECIFICATIONS ARE THE PROPERTY OF ACCURATE INNOTECH INC AND SHALL NOT BE REPRODUCED, COPIED OR USED IN ANY MANNER WITHOUT THE PRIOR WRITTEN CONSENT OF ACCURATE INNOTECH INC.

UNITS mm
MAT'L SEE NOTE
FINISH SEE NOTE
Q'TY

Model No. C E
CENTER PIN Ø1.0 Ø1.3

雅安科技有限公司
ACCURATE INNOTECH INC.

TITLE: DIP DC POWER JACK
DR: Ricky 2019/03/20
CHKD: Ricky 2019/03/20
APPD:

PART NO.: DCJ0-02130
DWG NO.: ADJ-02130
SCALE 1:1 SHEET 1/1 REV. A CUSTOMER DRAWING