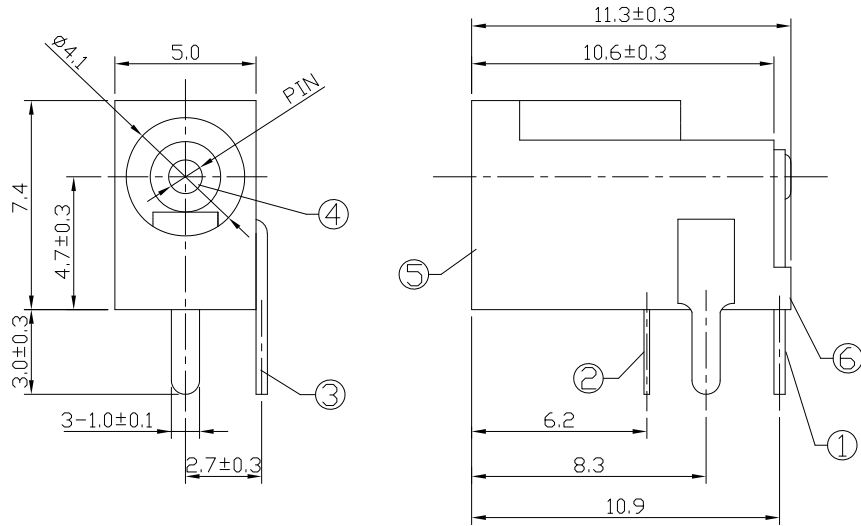




RoHS  
Compliant  
2002/95/EC

REV.	ECN.	NO.	APPD.

DIMENSIONS



T:1.6 Dimensions of PC board holes  
Tolerance : ±0.05(Printed-top view)

MODEL CODE:

DCS0-00020-A □ 9T BK S 0 4

(1) (2) (3)(4)(5) (6) (7)(8) (9)

(1):Series type:DIP DC POWER JACK.

(2):Series No.

(3):Schematic option: A

(4):Center pin diameter:

C=∅1.0 E=∅1.3

(5):Material of housing:

9T=PA9T

(6):Housing color:

BK=Black

(7):Terminal plating

S=Silver(Ag)

(8):Special option:

0=No special option

(9):Packing mode:

4=Bag packing

Specification:

1.Rating :DC 24V 2A.

2.Contact resistance : ≤30mΩ

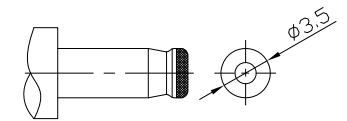
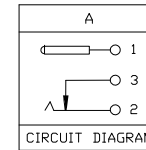
3.Insulation resistance : ≥100MΩ (DC250V).

4.Withstanding voltage: 500VAC .

5.Insertion and extraction force: 3~30N.

6.life test: 5000cycles min.

7.Operation temperature range:-25°C~85°C



DC MATE PLUG

Model No.	C	E
CENTER PIN	∅1.0	∅1.3

Bill of materials:

NO.	PARTS	MATERIAL	Q'TY	FINISHING	TOLERANCE	ANGLES	UNITS	mm
6	COVER	PA9T	1	BLACK	.X ±0.30	X°, ±5°	MAT'L	SEE NOTE
5	HOUSING	PA9T	1	BLACK	.XX ±0.20	.X° ±3°	FINISH	SEE NOTE
4	PIN	C2680(COPPER ALLOY)	1	Ni:50u*Min;			Q'TY	
3	CURVE PIECE	C2680 t=0.35	1	Ni:50u*Min;Ag:10u*Min PLATED				
2	SPRING PIECE	C5191 t=0.30	1	Ni:50u*Min;Ag:10u*Min PLATED				
1	FLAT PIECE	C2680 t=0.35	1	Ni:50u*Min;Ag:10u*Min PLATED				

THESE DRAWINGS AND SPECIFICATIONS ARE THE PROPERTY OF ACCURATE INNOTECH INC AND SHALL NOT BE REPRODUCED, COPIED OR USED IN ANY MANNER WITHOUT THE PRIOR WRITTEN CONSENT OF ACCURATE INNOTECH INC.

雅安科技有限公司  
ACCURATE INNOTECH INC.

TITLE: DIP DC POWER JACK PART NO.: DCS0-00020

DR: Ricky 2023/08/01 DWG NO.: ASS-00020

CHKD: Ricky 2023/08/01

APPD:

SCALE: 1:1 SHEET: 1/1 REV: A CUSTOMER DRAWING