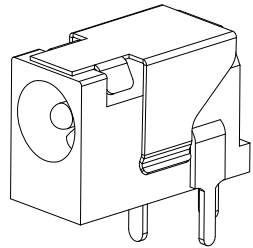




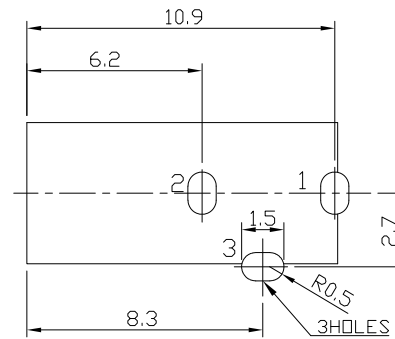
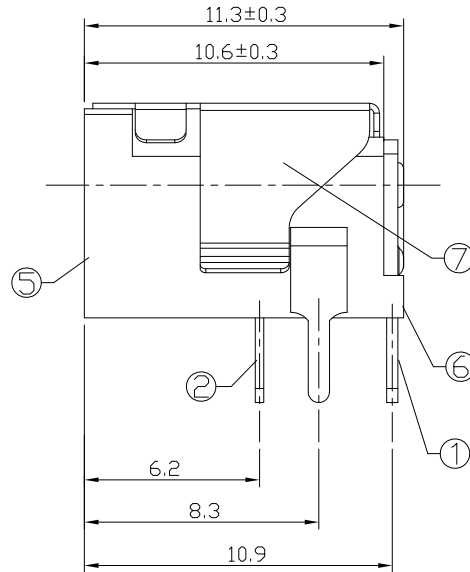
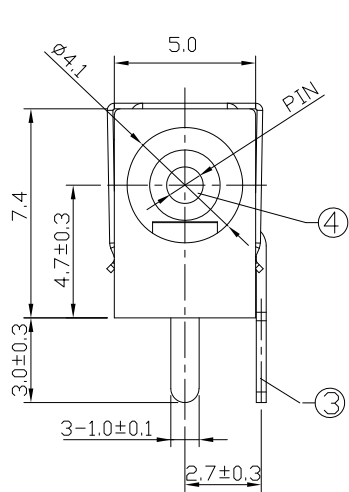
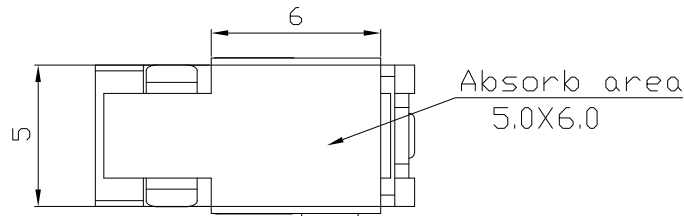
RoHS  
Compliant  
2002/95/EC

REV.	ECN.	NO.	APPD.

DIMENSIONS



3D VIEW



T:1.6 Dimensions of PC board holes  
Tolerance : ±0.05(Printed-top view)

MODEL CODE:

DCS0-00021-A □ 9T BK S 0 1

(1) (2) (3)(4) (5) (6) (7)(8) (9)

(1):Series type:DIP DC POWER JACK.

(2):Series No.

(3):Schematic option: A

(4):Center pin diameter:

C=∅1.0 E=∅1.3

(5):Material of housing:

9T=PA9T

(6):Housing color:

BK=Black

(7):Terminal plating

S=Silver(Ag)

(8):Special option:

0=No special option

(9):Packing mode:

1=Reel packing

Specification:

1.Rating :DC 24V 2A.

2.Contact resistance : ≤30mΩ

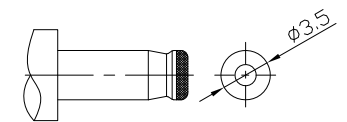
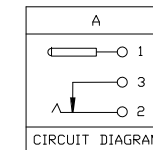
3.Insulation resistance : ≥100MΩ (DC250V).

4.Withstanding voltage: 500VAC .

5.Insertion and extraction force: 3~30N.

6.life test: 5000cycles min.

7.Operation temperature range:-25°C~85°C



DC MATE PLUG

Model No.	C	E
CENTER PIN	∅1.0	∅1.3

Bill of materials:

NO.	PARTS	MATERIAL	Q'TY	FINISHING
7	CAP	SUS304	1	
6	COVER	PA9T	1	BLACK
5	HOUSING	PA9T	1	BLACK
4	PIN	C2680(COPPER ALLOY)	1	Ni:50u*Min;Tin:60~90u* PLATED
3	CURVE PIECE	C2680 t=0.35	1	Ni:50u*Min;Ag:10u*Min PLATED
2	SPRING PIECE	C5191 t=0.30	1	Ni:50u*Min;Ag:10u*Min PLATED
1	FLAT PIECE	C2680 t=0.35	1	Ni:50u*Min;Ag:10u*Min PLATED

THESE DRAWINGS AND SPECIFICATIONS ARE THE PROPERTY OF ACCURATE INNOTECH INC AND SHALL NOT BE REPRODUCED, COPIED OR USED IN ANY MANNER WITHOUT THE PRIOR WRITTEN CONSENT OF ACCURATE INNOTECH INC.

TOLERANCE	ANGLES	UNITS
.X ±0.30	X°, ±5°	mm
.XX ±0.20	.X° ±3°	
		MAT'L
		SEE NOTE
		FINISH
		SEE NOTE
		Q'TY

雅安科技有限公司 ACCURATE INNOTECH INC.			
TITLE: DIP DC POWER JACK		PART NO.: DCS0-00021	
DR: Ricky 2023/08/01		DWG NO.: ASS-00021	
CHKD: Ricky 2023/08/01		SCALE	SHEET
APPD:		1:1	1/1
		REV.	CUSTOMER
		A	DRAWING