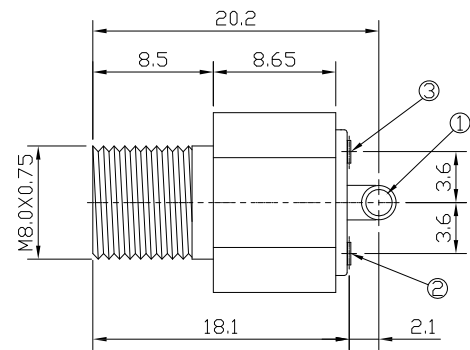
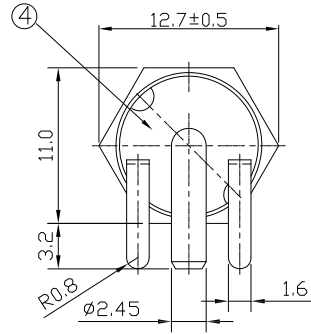
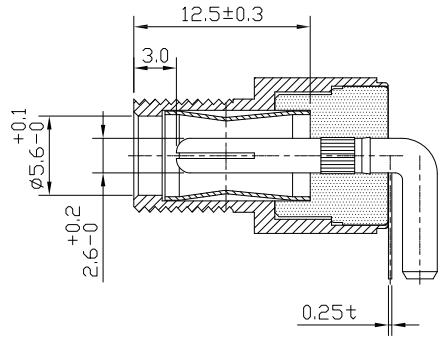




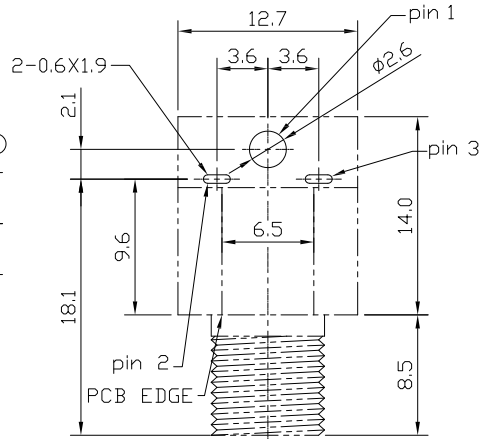
RoHS
Compliant
2002/95/EC

REV.	ECN.	NO.	APPD.

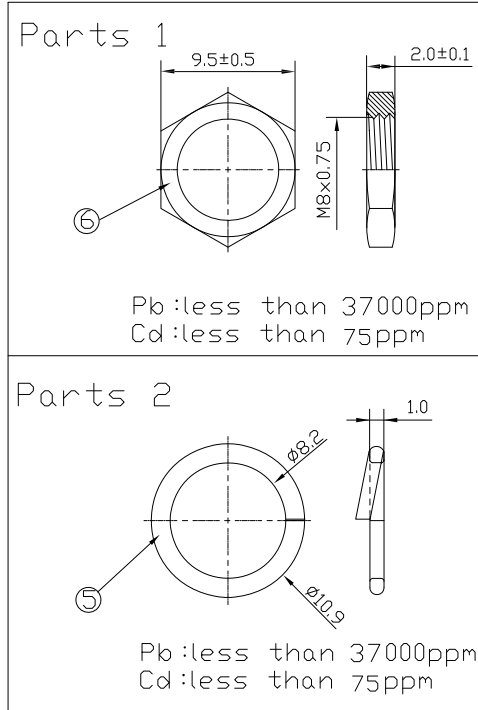
DIMENSIONS



Pb:less than 40000ppm
Cd:less than 100ppm



PCB LAYOUT
TOP VIEW



MODEL CODE:

DCS0-0002W- B J PB BK S 0 3

(1) (2) (3)(4) (5) (6) (7)(8) (9)

(1):Series type:DIP DC POWER JACK.

(2):Series No.

(3):Schematic option: B

(4):Center pin diameter:
J=φ2.5

(5):Material of housing:
PB=PBT

(6):Housing color:
BK=Black

(7):Terminal plating
S=Silver(Ag)

(8):Special option:
0=No special option

(9):Packing mode:
3=Plastic box packing

Specification:

1.Rating :DC 24V 10A.

2.Contact resistance : ≤30mΩ

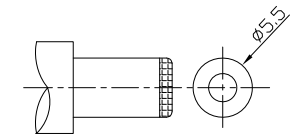
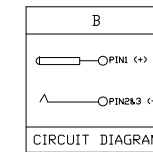
3.Insulation resistance : ≥100MΩ (DC500V).

4.Withstanding voltage: 500VAC .

5.Insertion and extraction force: 3~30N.

6.life test: 5000cycles min.

7.Operation temperature range:-40°C ~85°C



DC MATE PLUG

Model No.	J
CENTER PIN	φ2.5

Bill of materials:

NO.	PARTS	MATERIAL	Q'TY	FINISHING	TOLERANCE	ANGLES	UNITS
6	NUT	BRASS	1	NI	.X ±0.30	X°, ±5°	mm
5	WASHER	BRASS	1	NI	.XX ±0.20	.X° ±3°	mm
4	DIELECTRIC	PBT	1	BLACK			
3	Terminal	Phosphor Bronze	1	AG			
2	SLEEVE	BRASS	1	NI			
1	PIN	Phosphor Bronze	1	AG			

THESE DRAWINGS AND SPECIFICATIONS ARE THE PROPERTY OF ACCURATE INNOTECH INC AND SHALL NOT BE REPRODUCED, COPIED OR USED IN ANY MANNER WITHOUT THE PRIOR WRITTEN CONSENT OF ACCURATE INNOTECH INC.

雅安科技有限公司 ACCURATE INNOTECH INC.			
TITLE: DIP DC POWER JACK		PART NO.: DCS0-0002W	
DR: <i>Ricky</i> 2023/07/21		DWG NO.: ASS-0002W	
CHKD: <i>Ricky</i> 2023/07/21		SCALE	SHEET
APPD:		1:1	1/1
		REV.	CUSTOMER
		A	DRAWING