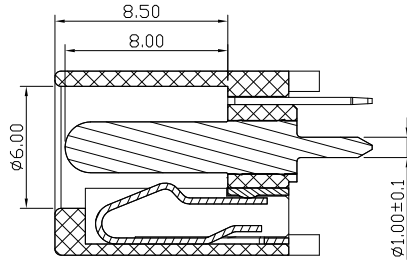
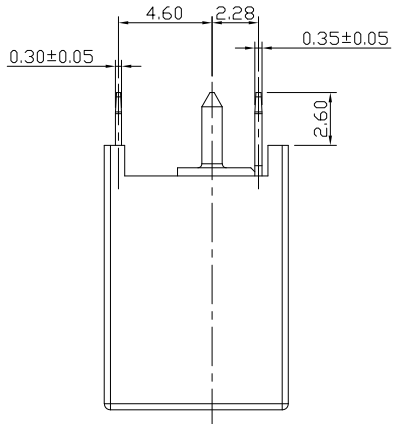




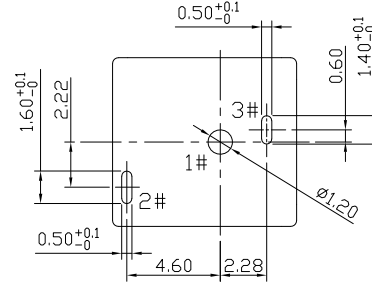
RoHS
Compliant
2002/95/EC

REV.	ECN. NO.	APPD.

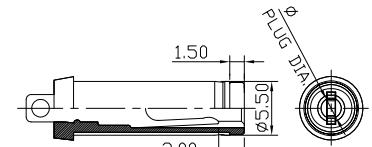
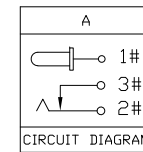
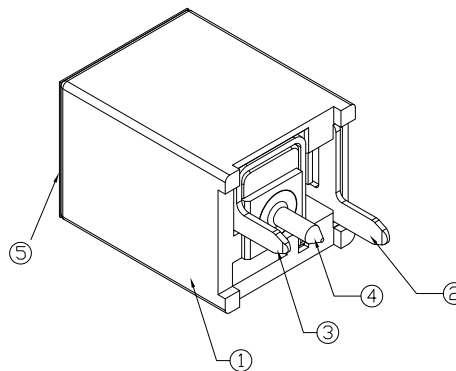
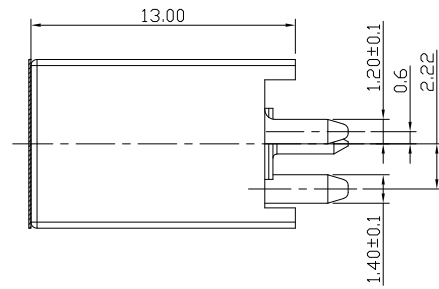
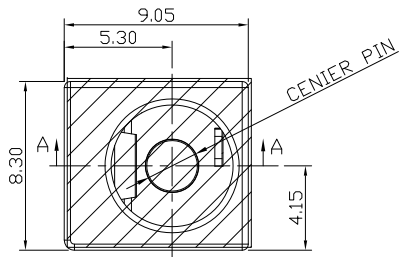
DIMENSIONS



SECTION A-A



PCB HOLES(TOP VIEW) t=1.6mm
NOTE:GENERAL TOLERANCE:±0.05mm



DC MATE PLUG

Model No.	G	H	J
CENTER PIN	ø1.65	ø2.0	ø2.5
PLUG DIA.	ø1.7	ø2.05	ø2.55

MODEL CODE:
DCS0-01840-A □ 9T BK I 0 1
(1) (2) (3)<4> (5) (6) (7)<8> (9)
(1):Series type:DIP DC POWER JACK.
(2):Series No.
(3):Schematic option: A
(4):Center pin diameter:
G=ø1.65mm, H=ø2.0mm, J=ø2.5mm
(5):Material of housing:
9T=PA9T
(6):Housing color:
BK=Black
(7):Terminal plating
T=Tin(Sn)
(8):Special option:
0=No special option
(9):Packing mode:
1=Reel packing

Specification:
1.Rating : DC 24V 10A.
2.Contact resistance : ≤50mΩ
3.Insulation resistance : ≥100MΩ
4.Withstanding voltage: 500VAC.
5.Insertion and extraction force: 3~30N.
6.life test: 5000cycles min.
7.Operation temperature range:-25°C~85°C

Bill of materials:

NO.	PARTS	MATERIAL	Q'TY	FINISHING
5	MYLAR		1	T=0.06~0.1
4	CONTACT PIN	COPPER ALLOY	1	Ni 50U"
3	SHUNT CONTACT	COPPER ALLOY	1	Tin 100U"
2	TIP SPRING	COPPER ALLOY	1	Tin 100U"
1	HOUSING	PA9T	1	Black

TOLERANCE	ANGLES	UNITS
.X ±0.50	X°, ±5°	mm
.XX ±0.30	.X°, ±3°	MAT'L
.XXX ±0.15	.XX°, ±2°	SEE NOTE
		FINISH
		SEE NOTE
		Q'TY

THESE DRAWINGS AND SPECIFICATIONS ARE THE PROPERTY OF ACCURATE INNOTECH INC AND SHALL NOT BE REPRODUCED, COPIED OR USED IN ANY MANNER WITHOUT THE PRIOR WRITTEN CONSENT OF ACCURATE INNOTECH INC.

雅安科技有限公司
ACCURATE INNOTECH INC.

TITLE: DIP DC POWER JACK PART NO.: DCS0-01840

DR: Ricky 2023/08/10 DWG NO.: ASS-01840

CHKD: Ricky 2023/08/10

APPD:

SCALE	SHEET	REV.	CUSTOMER
1:1	1/1	A	DRAWING