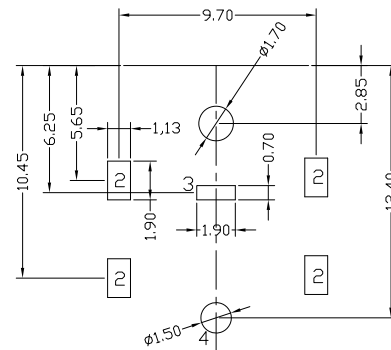
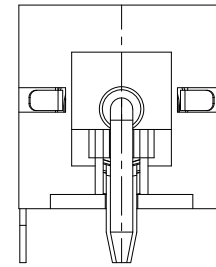
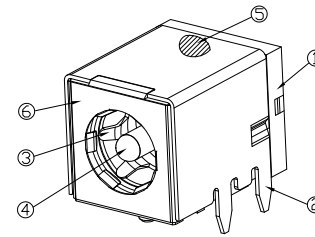
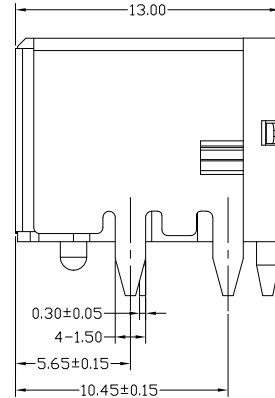
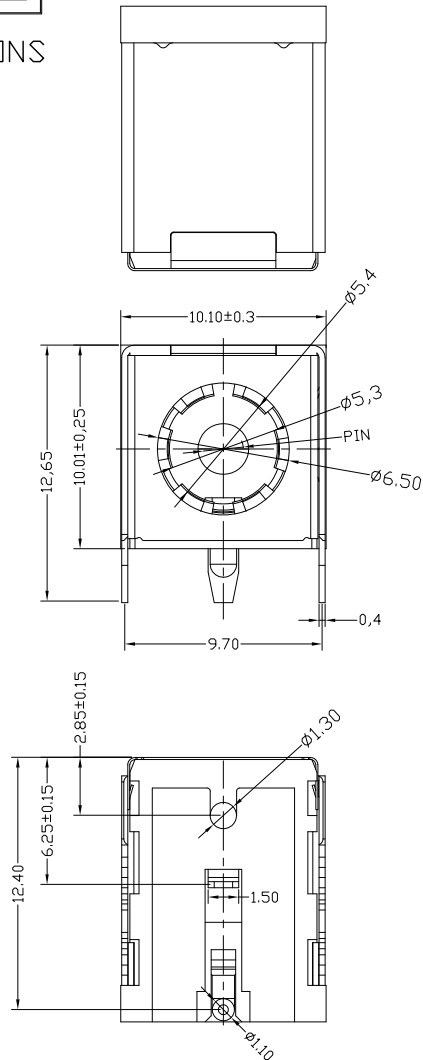




RoHS
Compliant
2002/95/EC

REV.	ECN.	NO.	APPD.

DIMENSIONS



P.C.B LAYOUT TOP VIEW

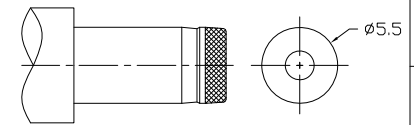
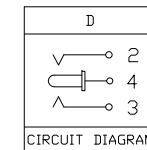
MODEL CODE:

DCS0-02000-D □ 9T BK T 0 3

- (1) (2) (3) (4) (5) (6) (7) (8) (9)
- (1):Series type:DIP DC POWER JACK.
- (2):Series No.
- (3):Schematic option: D
- (4):Center pin diameter:
H=Ø2.0mm, J=Ø2.5mm
- (5):Material of housing:
9T=PA9T
- (6):Housing color:
BK=Black
- (7):Terminal plating
T=Tin(Sn)
- (8):Special option:
0=No special option
- (9):Packing mode:
3=Plastic box packing

Specification:

- 1.Rating :DC 24V 10A.
- 2.Contact resistance :≤50mΩ
- 3.Insulation resistance :≥100MΩ (DC250V);
- 4.Withstanding voltage: 500VAC.
- 5.Insertion and extraction force: 3~30N.
- 6.life test: 5000cycles min.
- 7. Operation temperature range:-25°C~85°C



DC MATE PLUG

Model No.	H	J
CENTER PIN	Ø2.0	Ø2.5

Bill of materials:

NO.	PARTS	MATERIAL	Q'TY	FINISHING
6	COVER	SUS 301 T=0.1	1	
5	SPACER	PA9T UL94 V-0	1	BLACK
4	BERRY PIN	BRASS	1	Ni 50u'Min
3	CCAW	C5210 T=0.3	1	Tin 80u min
2	FOOT COVERLET	SUS301 T=0.3	1	Ni 50u'Min
1	HOUSING	PA9T UL94 V-0	1	BLACK

TOLERANCE	ANGLES	UNITS
.X ±0.35	X°, ±5°	mm
.XX ±0.25	.X° ±3°	MAT'L
.XXX ±0.15		SEE NOTE
		FINISH
		SEE NOTE
		Q'TY

THESE DRAWINGS AND SPECIFICATIONS ARE THE PROPERTY OF ACCURATE INNOTECH INC AND SHALL NOT BE REPRODUCED, COPIED OR USED IN ANY MANNER WITHOUT THE PRIOR WRITTEN CONSENT OF ACCURATE INNOTECH INC.

雅安科技有限公司 ACCURATE INNOTECH INC.			
TITLE: DIP DC POWER JACK		PART NO.: DCS0-02000	
DR: <i>Ricky</i> 2023/08/04		DWG NO.: ASS-02000	
CHKD: <i>Ricky</i> 2023/08/04		SCALE 1:1	SHEET 1/1
APPD:		REV. A	CUSTOMER DRAWING