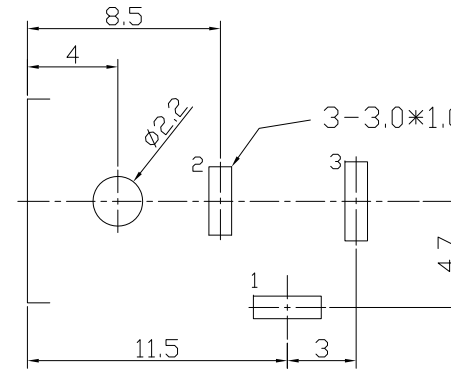
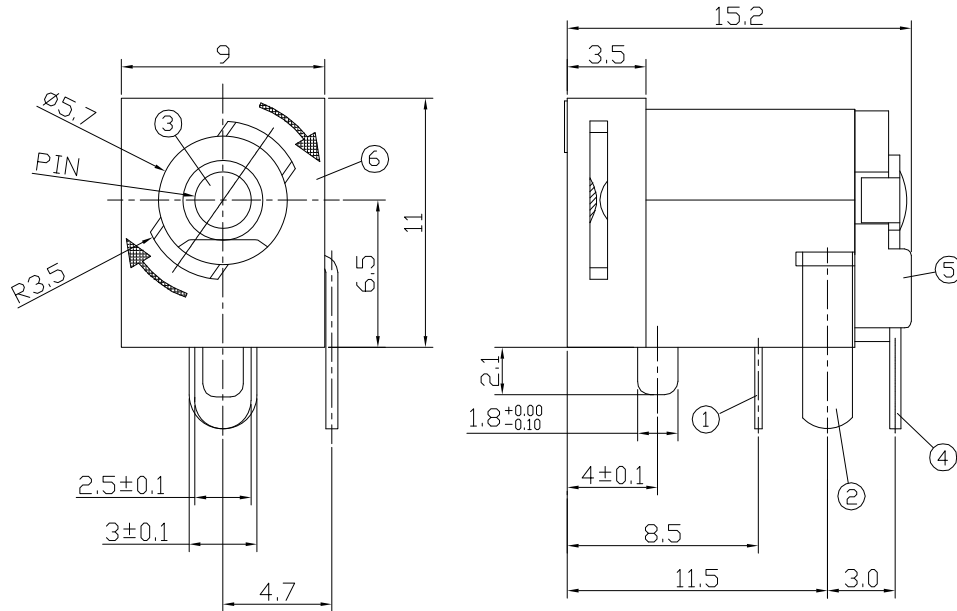




RoHS
Compliant
2002/95/EC

REV.	ECN.	NO.	APPD.

DIMENSIONS



PCB LAYOUT
TOP VIEW

MODEL CODE:

DCS0-0203A-A □ PB BK I 0 4

(1) (2) (3) (4) (5) (6) (7) (8) (9)

(1):Series type:DIP DC POWER JACK.

(2):Series No.

(3):Schematic option: A

(4):Center pin diameter:

G=Ø1.65mm, H=Ø2.0mm, J=Ø2.5mm

(5):Material of housing:

PB=PBT

(6):Housing color:

BK=Black

(7):Terminal plating

T=Tin(Sn)

(8):Special option:

0=No special option

(9):Packing mode:

4=Bag packing

Specification:

1.Rating :DC 36V 4A.

2.Contact resistance : ≤30mΩ

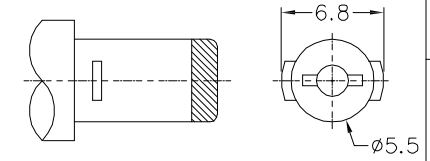
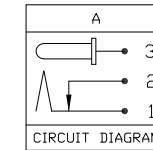
3.Insulation resistance : ≥100MΩ (DC250V).

4.Withstanding voltage: 500VAC .

5.Insertion and extraction force: 3~30N.

6.life test: 5000cycles min.

7.Operation temperature range:-25°C~85°C



DC SPECIAL MATE PLUG

Model No.	G	H	J
CENTER PIN	Ø1.65	Ø2.0	Ø2.5

Bill of materials:

NO.	PARTS	MATERIAL	Q'TY	FINISHING	TOLERANCE	ANGLES	UNITS
6	HOUSING	PBT	1	BLACK	.X ±0.30	X°, ±5°	mm
5	COVER	PBT	1	BLACK	.XX ±0.20	.X° ±3°	
4	CONTACT PIN	BRASS	1	Ni 50~80u"			
3	PIN TERMINAL	BRASS	1	Tin 100u"			
2	SPRING SHUNT	BRASS	1	Tin 100u"			
1	SPRING PIECE	PBS	1	Tin 100u"			

THESE DRAWINGS AND SPECIFICATIONS ARE THE PROPERTY OF ACCURATE INNOTECH INC AND SHALL NOT BE REPRODUCED, COPIED OR USED IN ANY MANNER WITHOUT THE PRIOR WRITTEN CONSENT OF ACCURATE INNOTECH INC.

雅安科技有限公司 ACCURATE INNOTECH INC.			
TITLE: DIP DC POWER JACK		PART NO.: DCS0-0203A	
DR: Ricky 2023/08/01		DWG NO.: ASS-0203A	
CHKD: Ricky 2023/08/01		SCALE	SHEET
APPD:		1:1	1/1
		REV.	CUSTOMER DRAWING
		A	