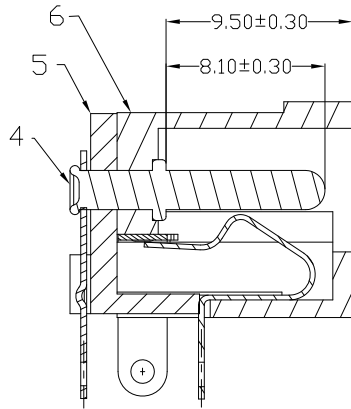
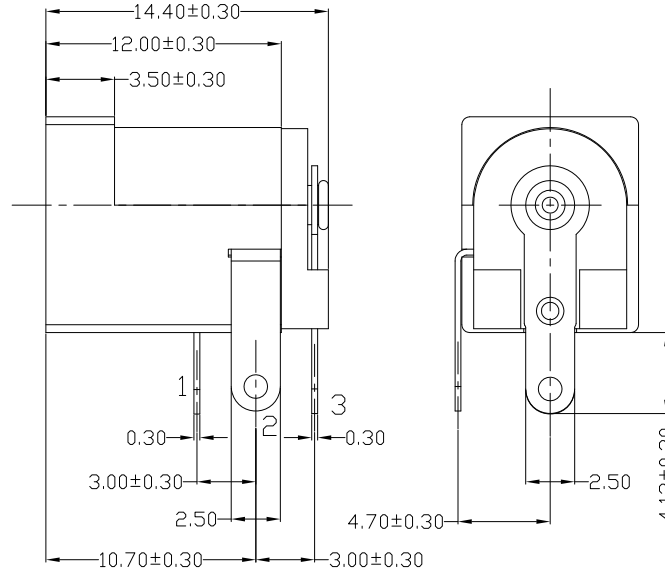
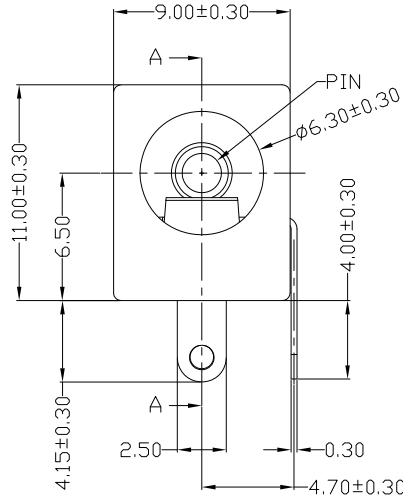




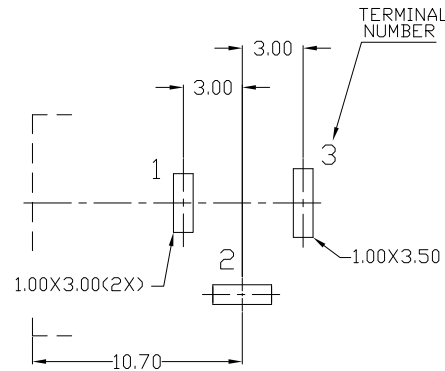
RoHS  
Compliant  
2002/95/EC

REV.	ECN. NO.	APPD.

DIMENSIONS



A-A' SECTION



RECOMMENDED PCB LAYOUT  
(TOP VIEW)

MODEL CODE:

DCS0-0203B- A □ PB BK T 0 4

(1) (2) (3)(4) (5) (6) (7)(8) (9)

(1):Series type:DIP DC POWER JACK.

(2):Series No.

(3):Schematic option: A

(4):Center pin diameter:

G=Ø1.65 , H=Ø2.0 , J=Ø2.5

(5):Material of housing:

PB=PBT

(6):Housing color:

BK=Black

(7):Terminal plating

T=Tin(Sn)

(8):Special option:

0=No special option

(9):Packing mode:

4=Bag packing

Specification:

1.Rating :DC 30V 3A.

2.Contact resistance :≤100mΩ

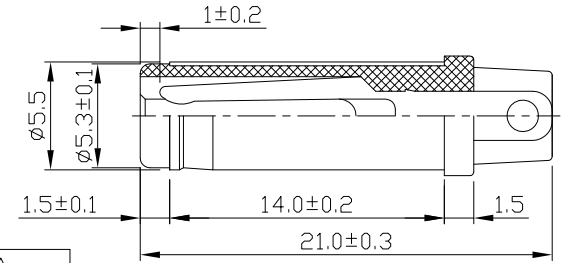
3.Insulation resistance :≥100MΩ (DC250V).

4.Withstanding voltage: 500VAC .

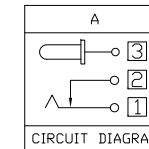
5.Insertion and extraction force: 3~30N.

6.life test: 5000cycles min.

7. Operation temperature range:-25°C~85°C



DC MATE PLUG



Model No.	G	H	J
CENTER PIN	Ø1.65	Ø2.0	Ø2.5

Bill of materials:

UNLESS OTHERWISE SPECIFIED,  
DIMENSIONS TOLERANCE ON DECIMALS ±0.2

NO.	PARTS	MATERIAL	Q'TY	FINISHING
6	HOUSING	PBT	1	BLACK
5	COVER	PBT	1	BLACK
4	CONTACT PIN	BRASS	1	Ni 50u"
3	PIN TERMINAL	BRASS	1	Tin 100u";Ni 50u"
2	SPRING SHUNT	BRASS	1	Tin 100u";Ni 50u"
1	SPRING PIECE	BRONZE	1	Tin 100u";Ni 50u"

TOLERANCE	ANGLES	UNITS
.X ± 0.3	X°.±5°	mm
.XX ± 0.2	.X°.±3°	MAT'L
		SEE NOTE
		FINISH
		SEE NOTE
		Q'TY

雅安科技有限公司 ACCURATE INNOTECH INC.			
TITLE: DIP DC POWER JACK		PART NO.: DCS0-0203B	
DR: <i>Ricky</i> 2019/03/21		DWG NO.: ASS-0203B	
CHKD: <i>Ricky</i> 2019/03/21		SCALE 1:1	SHEET 1/1
APPD:		REV. A	CUSTOMER DRAWING

THESE DRAWINGS AND SPECIFICATIONS ARE THE PROPERTY OF ACCURATE INNOTECH INC AND SHALL NOT BE REPRODUCED, COPIED OR USED IN ANY MANNER WITHOUT THE PRIOR WRITTEN CONSENT OF ACCURATE INNOTECH INC.