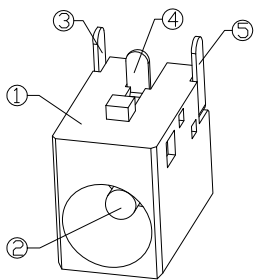
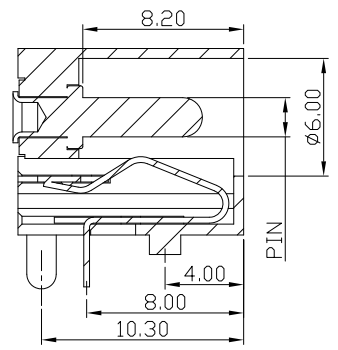


RoHS Compliant  
2002/95/EC  
Halogen Free

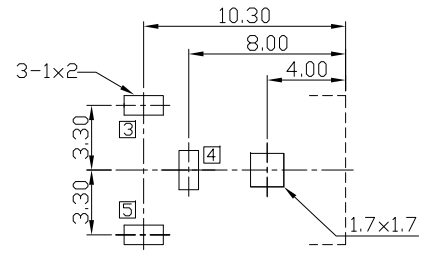


REV.	ECN.	NO.	APPD.

DIMENSIONS



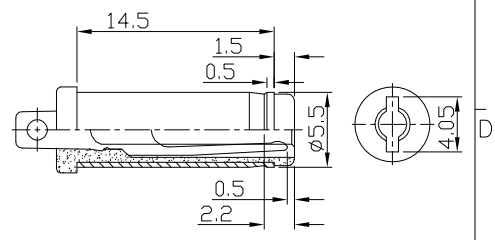
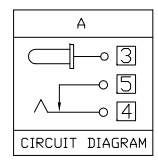
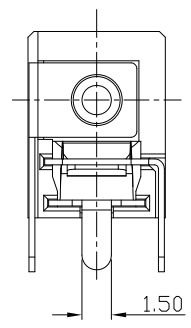
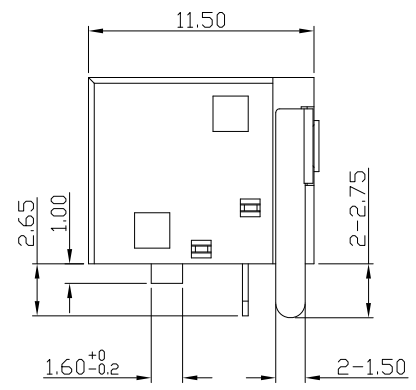
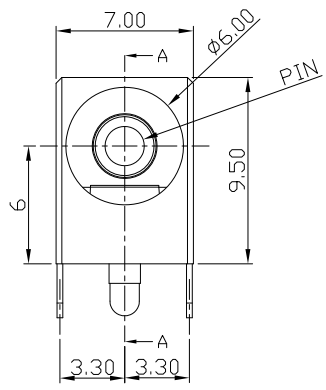
A-A SECTION



RECOMMENDED P.C.B. LAYOUT  
UNSPECIFIED TOLERANCE: ±0.05  
(TOP view)

MODEL CODE:  
DCS0-02060- A □ 10 BK S 0 4  
(1) (2) (3)(4)(5) (6) (7)(8) (9)  
(1):Series type:DIP DC POWER JACK.  
(2):Series No.  
(3):Schematic option: A  
(4):Center pin diameter:  
H=∅2.0mm , J=∅2.5mm  
(5):Material of housing:  
10=PA10T  
(6):Housing color:  
BK=Black  
(7):Terminal plating  
S=Silver(Ag)  
(8):Special option:  
0=No special option  
(9):Packing mode:  
1=Reel packing  
4=Bag packing

Specification:  
1.Rating :DC 24V 7A.  
2.Contact resistance : ≤30mΩ  
3.Insulation resistance : ≥100MΩ (DC500V).  
4.Withstanding voltage: 500VAC .  
5.Insertion and extraction force: 3~30N.  
6.life test: 5000cycles min.  
7.Operation temperature range:-25°C~85°C



Model No.	H	J
CENTER PIN	∅2.0	∅2.5

DC MATE PLUG  
(TOLERANCE ±0.05)

Bill of materials:

NO.	PARTS	MATERIAL	Q'TY	FINISHING
⑤	SHUNT TERMINAL	BRASS T=0.30	1	Ag 20U" OVER NI 50U"
④	SPRING TERMINAL	PBS T=0.30	1	Ag 20U" OVER NI 50U"
③	CENTER PIN TERMINAL	BRASS T=0.30	1	Ag 20U" OVER NI 50U"
②	CENTER PIN	BRASS	1	NI 60U" OVER CU80U"
①	P1 HOUSING	PA10T BLACK	1	UL94V-0

TOLERANCE	ANGLES	UNITS
.X ± 0.5	X°.±2°	mm
.XX ± 0.3	.X°±1°	MAT'L
.XXX ± 0.2		SEE NOTE
		FINISH
		SEE NOTE
		Q'TY

雅安科技有限公司  
ACCURATE INNOTECH INC.

TITLE: DIP DC POWER JACK PART NO.: DCS0-02060

DR: Ricky 2019/03/25 DWG NO.: ASS-02060

CHKD: Ricky 2019/03/25

APPD:

SCALE	SHEET	REV.	CUSTOMER
1:1	1/1	A	DRAWING

THESE DRAWINGS AND SPECIFICATIONS ARE THE PROPERTY OF ACCURATE INNOTECH INC AND SHALL NOT BE REPRODUCED, COPIED OR USED IN ANY MANNER WITHOUT THE PRIOR WRITTEN CONSENT OF ACCURATE INNOTECH INC.