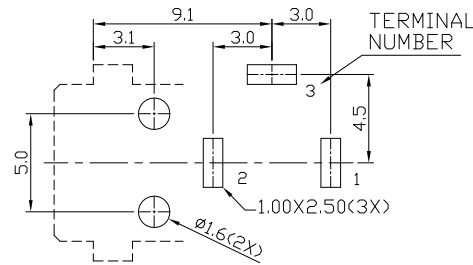
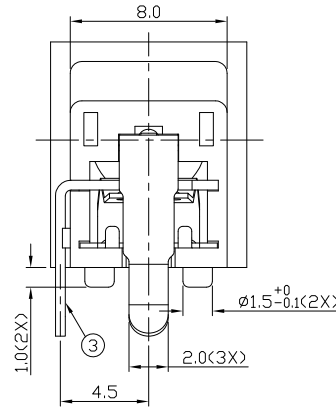
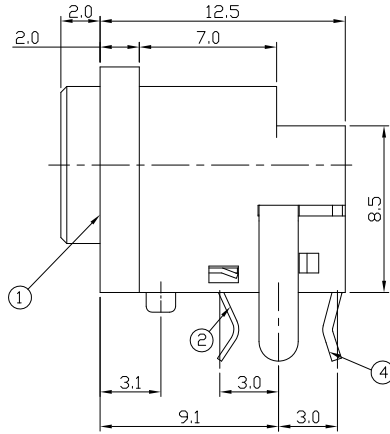
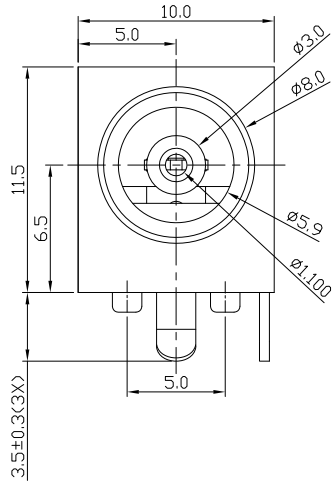
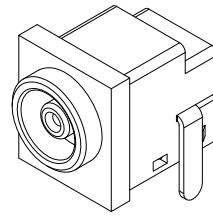




RoHS
Compliant
2002/95/EC

| REV. | ECN. | NO. | APPD. |
|------|------|-----|-------|
| | | | |
| | | | |
| | | | |

DIMENSIONS



PCB LAYOUT
(BOTTOM VIEW)

MODEL CODE:

DCS0-02080- X C 66 BK T 0 4

(1) (2) (3)(4) (5) (6) (7)(8) (9)

(1):Series type:DIP DC POWER JACK.

(2):Series No.

(3):Schematic option: X

(4):Center pin diameter:

C=φ1.0

(5):Material of housing:

6=PA66

(6):Housing color:

BK=Black

(7):Terminal plating

T=Tin(Sn)

(8):Special option:

0=No special option

(9):Packing mode:

4=Bag packing

Specification:

1.Rating :DC 16V 3A.

2.Contact resistance :≤50mΩ

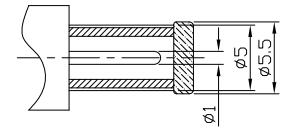
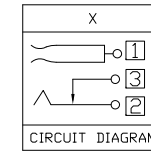
3.Insulation resistance :≥100MΩ (DC250V).

4.Withstanding voltage: 500VAC .

5.Insertion and extraction force: 3~30N.

6.life test: 5000cycles min.

7.Operation temperature range:-25°C~85°C



DC MATE PLUG

| | |
|------------|------|
| Model No. | C |
| CENTER PIN | φ1.0 |

Bill of materials:

| NO. | PARTS | MATERIAL | Q'TY | FINISHING | TOLERANCE | ANGLES | UNITS | 雅安科技有限公司 ACCURATE INNOTECH INC. | | | |
|-----|---------|--------------|------|-----------|------------|---------|----------|---|--|--|--|
| | | | | | .X ± 0.3 | X°.±5° | mm | TITLE: DIP DC POWER JACK PART NO.: DCS0-02080 DR: <i>Ricky</i> 2019/03/22 DWG NO.: ASS-02080 CHKD: <i>Ricky</i> 2019/03/22 SCALE: 1:1 SHEET: 1/1 REV: A CUSTOMER DRAWING | | | |
| | | | | | .XX ± 0.2 | .X°.±3° | MAT'L | | | | |
| | | | | | .XXX ± 0.1 | | SEE NOTE | | | | |
| 4 | PIN | BRASS | 1 | Tin | | | FINISH | THESE DRAWINGS AND SPECIFICATIONS ARE THE PROPERTY OF ACCURATE INNOTECH INC AND SHALL NOT BE REPRODUCED, COPIED OR USED IN ANY MANNER WITHOUT THE PRIOR WRITTEN CONSENT OF ACCURATE INNOTECH INC. | | | |
| 3 | CONTACT | BRASS | 1 | Tin | | | SEE NOTE | | | | |
| 2 | CONTACT | COPPER ALLOY | 1 | Tin | | | Q'TY | | | | |
| 1 | HOUSING | PA66 | 1 | BLACK | | | | APPD: | | | |
| | | | | | | | | 1:1 1/1 A CUSTOMER DRAWING | | | |