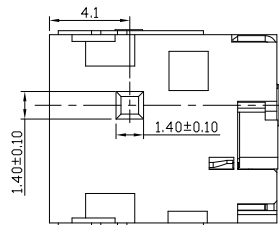
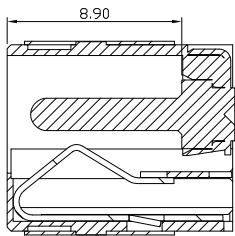
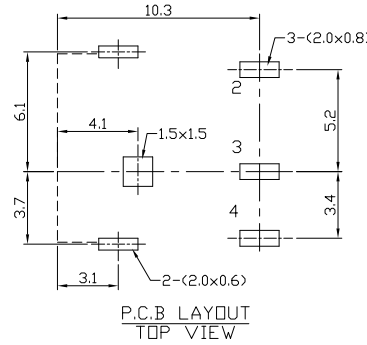
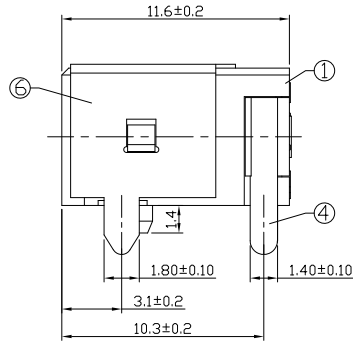
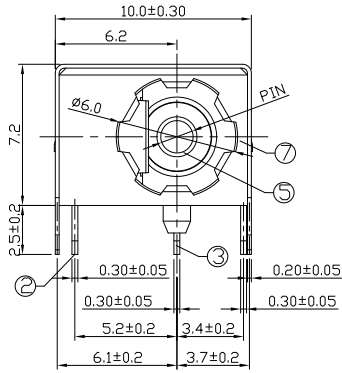




RoHS
Compliant
2002/95/EC

REV.	ECN.	NO.	APPD.

DIMENSIONS



MODEL CODE:

DCS0-0217B- A □ 9T BK S 0 3

(1) (2) (3)(4) (5) (6) (7)(8) (9)

(1):Series type:DIP DC POWER JACK.

(2):Series No.

(3):Schematic option: A

(4):Center pin diameter:

G=Ø1.65 , H=Ø2.0 , J=Ø2.5

(5):Material of housing:

9T=PA9T

(6):Housing color:

BK=Black

(7):Terminal plating

S=Silver(Ag)

(8):Special option:

0=No special option

(9):Packing mode:

1=Reel packing

3=Plastic box packing

Specification:

1.Rating :DC 24V 5A.

2.Contact resistance :≤50mΩ

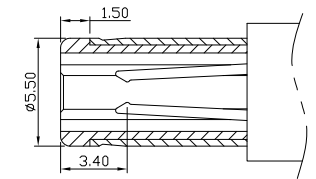
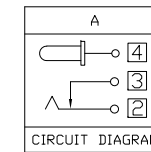
3.Insulation resistance :≥100MΩ (DC500V).

4.Withstanding voltage : 500VAC .

5.Insertion and extraction force: 3~30N.

6.life test: 5000cycles min.

7.Operation temperature range:-25°C~85°C



Model No.	G	H	J
CENTER PIN	Ø1.65	Ø2.0	Ø2.5

Bill of materials:

NO.	PARTS	MATERIAL	Q'TY	FINISHING	TOLERANCE	ANGLES	UNITS	雅安科技有限公司 ACCURATE INNOTECH INC.				
7	COVER	SUS301	1	Ni 60U" Min	.X ± 0.3	X°.±5°	mm	TITLE: DIP DC POWER JACK PART NO.: DCS0-0217B DR: Ricky 2019/03/21 DWG NO.: ASS-0217B SCALE: 1:1 SHEET: 1/1 REV: A CUSTOMER DRAWING				
6	CONTACT FOOT	C2680	1	Tin 100U" Min	.XX ± 0.2	.X°.±3°	MAT'L					
5	PIN	C2680	1	U" MinNi 60	.XXX ± 0.1		SEE NOTE					
4	CONTACT FOOT	C2680	1	Ag 10U"Min			FINISH					
3	CURVE PIECE	C2680	1	Ag 10U"Min			SEE NOTE					
2	SPRING PIECE	C5210	1	Ag 10U"Min	THESE DRAWINGS AND SPECIFICATIONS ARE THE PROPERTY OF ACCURATE INNOTECH INC AND SHALL NOT BE REPRODUCED, COPIED OR USED IN ANY MANNER WITHOUT THE PRIOR WRITTEN CONSENT OF ACCURATE INNOTECH INC.			Q'TY	CHKD: Ricky 2019/03/21			
1	HOUSING	PA9T	1	Black				APPD:				