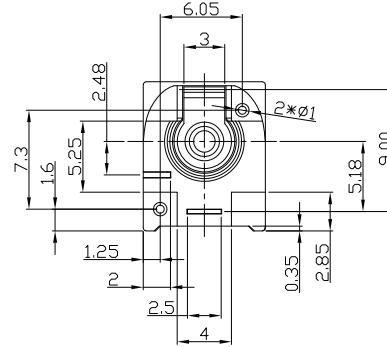
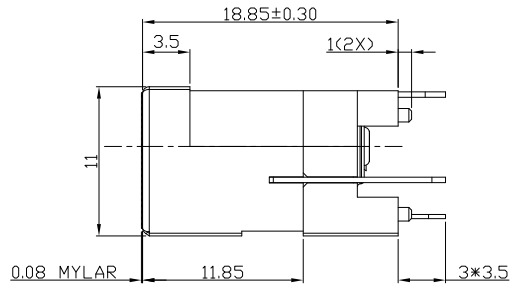
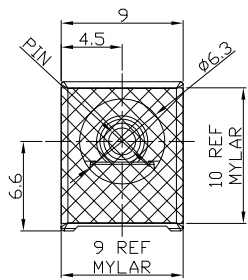




RoHS
Compliant
2002/95/EC

REV.	ECN.	NO.	APPD.

DIMENSIONS

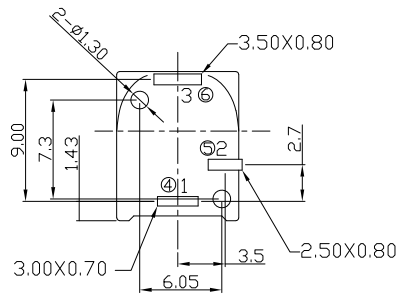
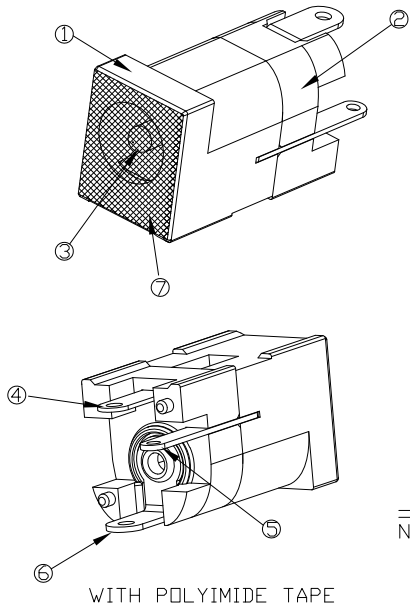


MODEL CODE:

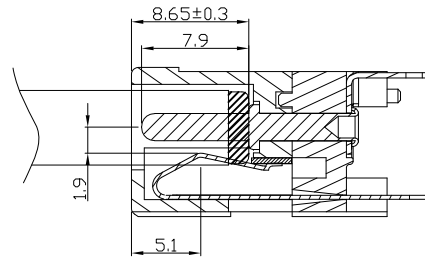
- DCS0-0239B-A □ LC BK I 0 1
 (1) (2) (3)(4)(5) (6) (7)(8) (9)
 (1):Series type:DIP DC POWER JACK.
 (2):Series No.
 (3):Schematic option: A
 (4):Center pin diameter:
 E=Ø1.3mm, H=Ø2.0mm, J=Ø2.5mm
 (5):Material of housing:
 LC=LCP
 (6):Housing color:
 BK=Black
 (7):Terminal plating
 T=Tin(Sn)
 (8):Special option:
 0=No special option
 (9):Packing mode:
 1=Reel packing

Specification:

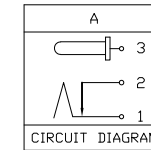
- 1.Rating :DC 24V 3A.
- 2.Contact resistance : ≤50mΩ
- 3.Insulation resistance : ≥100MΩ
- 4.Withstanding voltage: 500VAC 1 MINUTE.
- 5.Insertion and extraction force: 3~30N.
- 6.life test: 5000cycles min.
- 7.Operation temperature range:-25°C~85°C



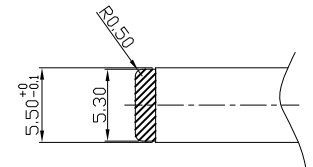
RECOMMENDED PADS LAYOUT <TOP VIEW>
 NOTE : TOLERANCE FOR PCB LAYOUT IS ± 0.05



SECTION A-A



CIRCUIT DIAGRAM



DC MATE PLUG

Model No.	E	H	J
CENTER PIN	Ø1.3	Ø2.0	Ø2.5

Bill of materials:

NO.	PARTS	MATERIAL	Q'TY	FINISHING
7	MYLAR	POLYIMIDE TAPE T=0.08	1	NI:50u" MIN; TIN:100u" MIN
6	PIN TERMINIAL	BRASS T=0.40	1	NI:50u" MIN; TIN:100u" MIN
5	SHUNT TERMINAL	BRASS T=0.40	1	NI:50u" MIN; TIN:100u" MIN
4	SPRING TERMINAL	BRASS T=0.30	1	NI:50u" MIN; TIN:100u" MIN
3	CENTER PIN	COPPER	1	NI:50u" MIN
2	BOTTOM COVER	PA9T	1	BLACK
1	HOUSING	LCP	1	BLACK

TOLERANCE	ANGLES	UNITS
.X ±0.30	X° ±5°	mm
.XX ±0.20	.X° ±3°	

雅安科技有限公司 ACCURATE INNOTECH INC.			
TITLE: DIP DC POWER JACK		PART NO.: DCS0-0239B	
DR: Ricky 2023/08/02		DWG NO.: ASS-0239B	
CHKD: Ricky 2023/08/02		SCALE	SHEET
APPD:		1:1	1/1
		REV.	CUSTOMER
		A	DRAWING

THESE DRAWINGS AND SPECIFICATIONS ARE THE PROPERTY OF ACCURATE INNOTECH INC AND SHALL NOT BE REPRODUCED, COPIED OR USED IN ANY MANNER WITHOUT THE PRIOR WRITTEN CONSENT OF ACCURATE INNOTECH INC.

