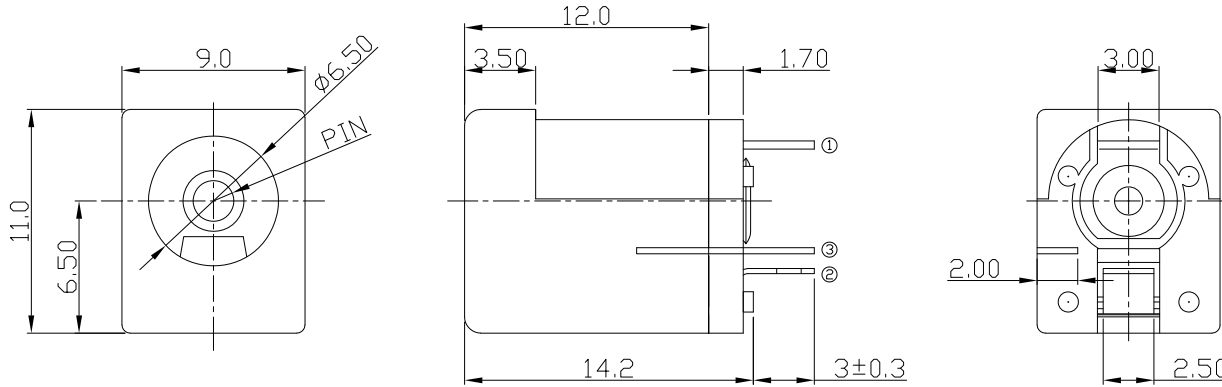




RoHS  
Compliant  
2002/95/EC

REV.	ECN.	NO.	APPD.

DIMENSIONS



MODEL CODE:

DCS0-0239W-A □ 9T BK T 0 4

(1) (2) (3)(4) (5) (6) (7)(8) (9)

(1):Series type:DIP DC POWER JACK.

(2):Series No.

(3):Schematic option: A

(4):Center pin diameter:

H=φ2.0mm, J=φ2.5mm

(5):Material of housing:

9T=PA9T

(6):Housing color:

BK=Black

(7):Terminal plating

T=Tin(Sn)

(8):Special option:

0=No special option

(9):Packing mode:

4=Bag packing

Specification:

1.Rating :DC 24V 3A.

2.Contact resistance : ≤50mΩ

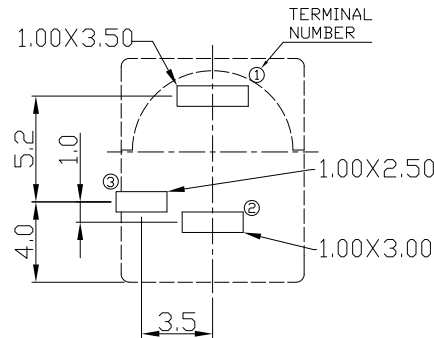
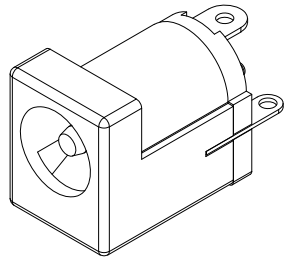
3.Insulation resistance : ≥100MΩ

4.Withstanding voltage: 500VAC 1 MINUTE.

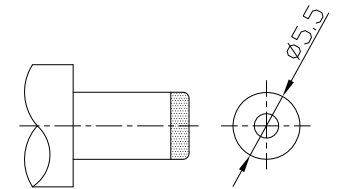
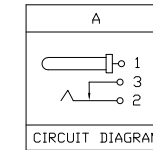
5.Insertion and extraction force: 3~30N.

6.life test: 5000cycles min.

7.Operation temperature range:-25°C~85°C



PCB LAYOUT  
(BOTTOM VIEW)



Model No.	H	J
CENTER PIN	φ2.0	φ2.5

Bill of materials:

NO.	PARTS	MATERIAL	Q'TY	FINISHING	TOLERANCE	ANGLES	UNITS
6	CENTER PIN	C2680	1	Ni	.X ±0.30	X°, ±5°	mm
5	TERMINAL 3	C2680	1	Tin	.XX ±0.20	.X° ±3°	MAT'L
4	TERMINAL 2	C5210	1	Tin	.XXX ±0.10		SEE NOTE
3	TERMINAL 1	C2680	1	Tin			FINISH
2	COVER	PA9T	1	BLACK			SEE NOTE
1	HOUSING	PA9T	1	BLACK			Q'TY

THESE DRAWINGS AND SPECIFICATIONS ARE THE PROPERTY OF ACCURATE INNOTECH INC AND SHALL NOT BE REPRODUCED, COPIED OR USED IN ANY MANNER WITHOUT THE PRIOR WRITTEN CONSENT OF ACCURATE INNOTECH INC.

雅安科技有限公司 ACCURATE INNOTECH INC.			
TITLE: DIP DC POWER JACK		PART NO.: DCS0-0239W	
DR: Ricky 2023/08/03		DWG NO.: ASS-0239W	
CHKD: Ricky 2023/08/03		SCALE	SHEET
APPD:		1:1	1/1
		REV.	CUSTOMER
		A	DRAWING