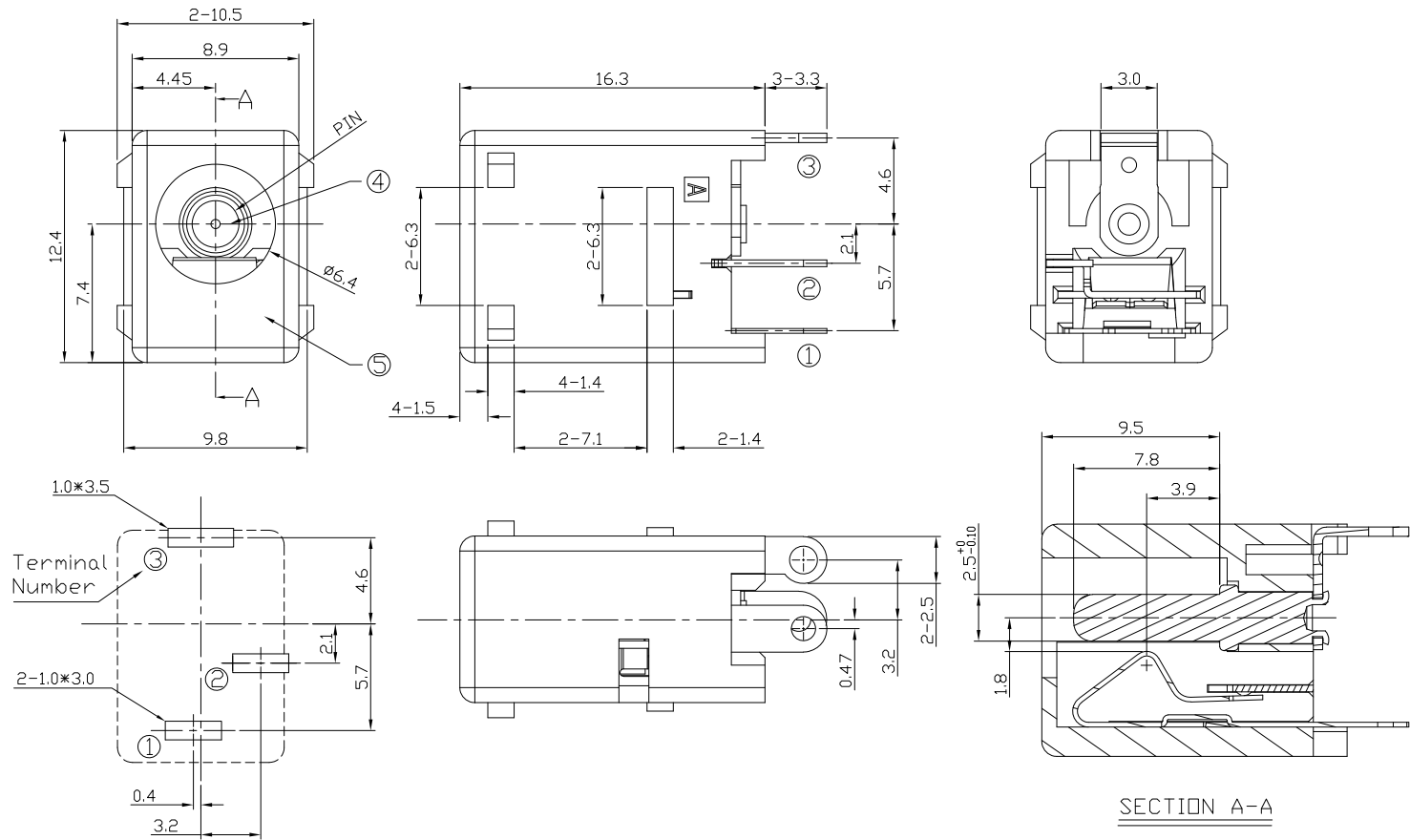




RoHS
Compliant
2002/95/EC

REV.	ECN.	NO.	APPD.

DIMENSIONS



MODEL CODE:

DCS0-0242A- A □ PB BK S 0 4

(1) (2) (3)(4)(5) (6) (7)(8) (9)

(1):Series type:DIP DC POWER JACK.

(2):Series No.

(3):Schematic option: A

(4):Center pin diameter:

H= $\phi 2.0$, J= $\phi 2.5$

(5):Material of housing:

PB=PBT

(6):Housing color:

BK=Black

(7):Terminal plating

S=Silver(Ag)

(8):Special option:

0=No special option

(9):Packing mode:

4=Bag packing

Specification:

1.Rating : DC 16V 5A.

2.Contact resistance : $\leq 30m\Omega$

3.Insulation resistance : $\geq 100M\Omega$ (DC500V).

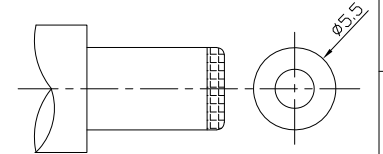
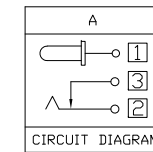
4.Withstanding voltage : 500VAC .

5.Insertion and extraction force : 3~30N.

6.life test : 5000cycles min.

7. Operation temperature range: $-25^{\circ}C \sim 85^{\circ}C$

RECOMMENDED PCB LAYOUT
(TOP VIEW)



Model No.	H	J
CENTER PIN	$\phi 2.0$	$\phi 2.5$

Bill of materials:

NO.	PARTS	MATERIAL	Q'TY	FINISHING	TOLERANCE	ANGLES	UNITS
5	HOUSING	PBT	1	BLACK/WHITE	$>15 \pm 0.20$	$X^{\circ} \pm 5^{\circ}$	mm
4	CENTER PIN	BRASS	1	AG-PLATING	$0 \sim 15 \pm 0.15$	$.X^{\circ} \pm 3^{\circ}$	MAT'L
3	TERMINAL 3	BRASS	1	AG-PLATING			SEE NOTE
2	TERMINAL 2	BRASS	1	AG-PLATING			FINISH
1	TERMINAL 1	PHOSPHOR BRONZE	1	NI-PLATING			SEE NOTE
							Q'TY

THESE DRAWINGS AND SPECIFICATIONS ARE THE PROPERTY OF ACCURATE INNOTECH INC AND SHALL NOT BE REPRODUCED, COPIED OR USED IN ANY MANNER WITHOUT THE PRIOR WRITTEN CONSENT OF ACCURATE INNOTECH INC.

雅安科技有限公司 ACCURATE INNOTECH INC.			
TITLE: DIP DC POWER JACK		PART NO.: DCS0-0242A	
DR: Ricky 2019/03/22		DWG NO.: ASS-0242A	
CHKD: Ricky 2019/03/22		SCALE	SHEET
APPD:		1:1	1/1
		REV.	CUSTOMER
		A	DRAWING