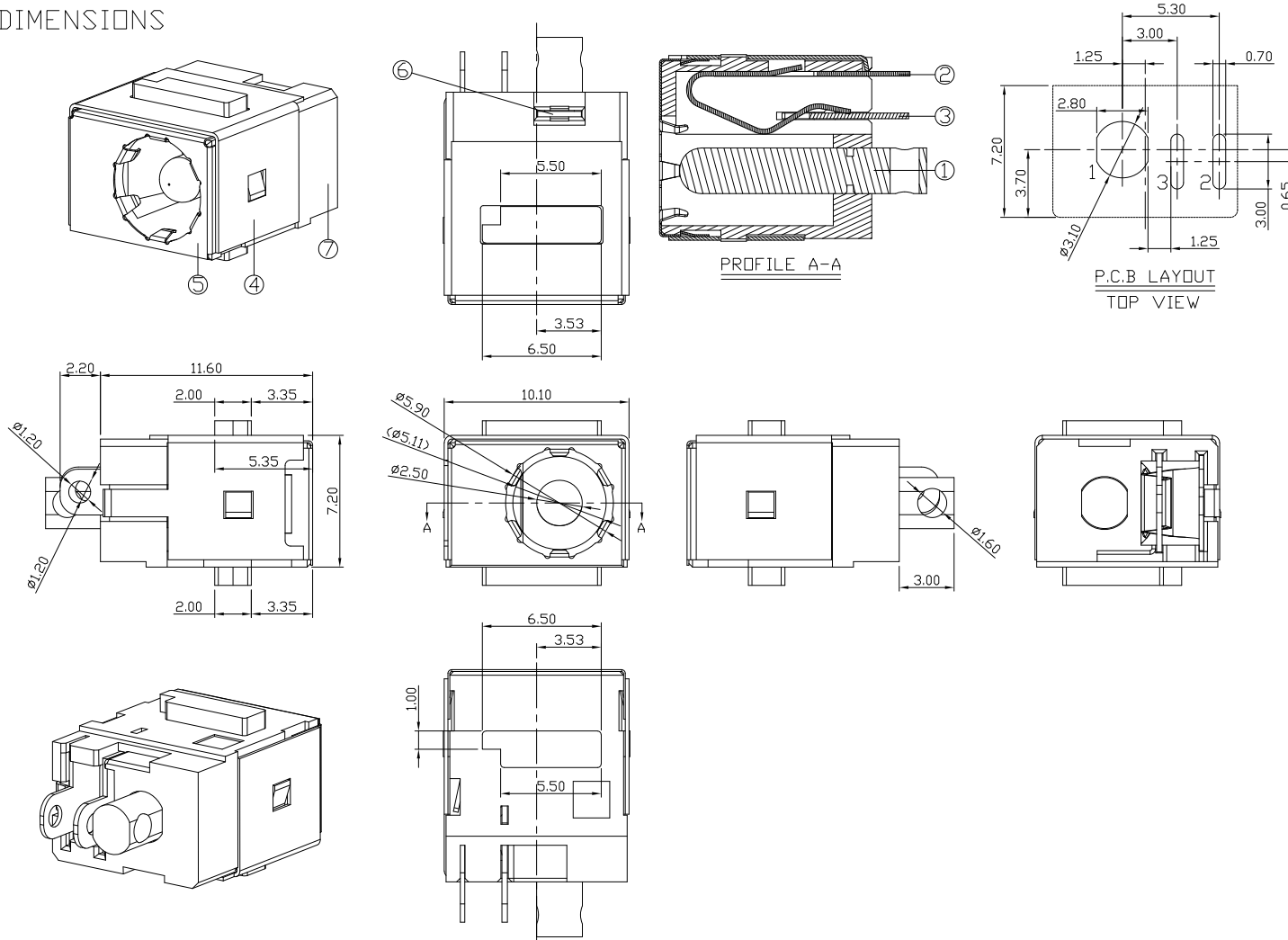




RoHS Compliant
2002/95/EC

REV.	ECN.	NO.	APPD.

DIMENSIONS



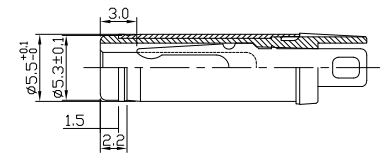
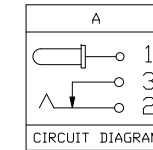
MODEL CODE:

DCS0-0244F-A J 9T BK S 0 4

- (1):Series type:DIP DC POWER JACK.
- (2):Series No.
- (3):Schematic option: A
- (4):Center pin diameter:
J= $\phi 2.5$ mm
- (5):Material of housing:
9T=PA9T
- (6):Housing color:
BK=Black
- (7):Terminal plating
S=Silver(Ag)
- (8):Special option:
0=No special option
- (9):Packing mode:
4=Bag packing

Specification:

- 1.Rating :DC 24V 8A.
- 2.Contact resistance : ≤ 50 m Ω
- 3.Insulation resistance : ≥ 100 M Ω (DC250V);
- 4.Withstanding voltage: 500VAC.
- 5.Insertion and extraction force: 3~30N.
- 6.life test: 5000cycles min.
- 7.Operation temperature range:-25°C~85°C



Model No.	J
CENTER PIN	$\phi 2.5$

Bill of materials:

NO.	PARTS	MATERIAL	Q'TY	FINISHING	TOLERANCE	ANGLES	UNITS
7	HOUSING	PA9T	1		.X ± 0.30	X°, $\pm 5^\circ$	mm
6	STOPPER	SUS301	1		.XX ± 0.25	.X° $\pm 3^\circ$	MAT'L
5	COVER	SUS301	1	Ni-Plating	.XXX ± 0.10		SEE NOTE
4	CONTACT FOOT	C5191	1	Ag-Plating			FINISH
3	CURVE PIECE	C2680	1	Ag-Plating			SEE NOTE
2	SPRING PIECE	C5191	1	BLACK			Q'TY
1	PIN	HB159	1	Ni-Plating			

THESE DRAWINGS AND SPECIFICATIONS ARE THE PROPERTY OF ACCURATE INNOTECH INC AND SHALL NOT BE REPRODUCED, COPIED OR USED IN ANY MANNER WITHOUT THE PRIOR WRITTEN CONSENT OF ACCURATE INNOTECH INC.

雅安科技有限公司
ACCURATE INNOTECH INC.

TITLE: DIP DC POWER JACK PART NO.: DCS0-0244F

DR: *Ricky* 2023/08/03 DWG NO.: ASS-0244F

CHKD: *Ricky* 2023/08/03

APPD: SCALE: 1:1 SHEET: 1/1 REV: A CUSTOMER DRAWING