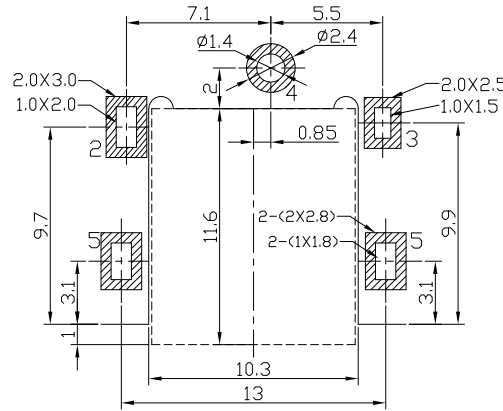
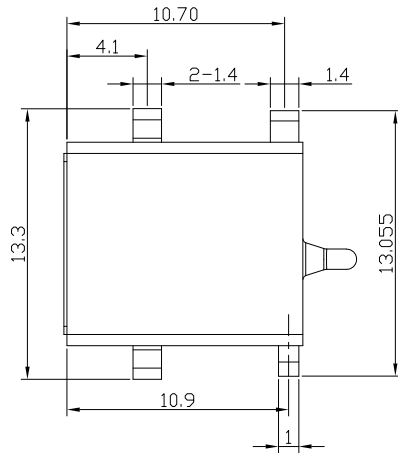
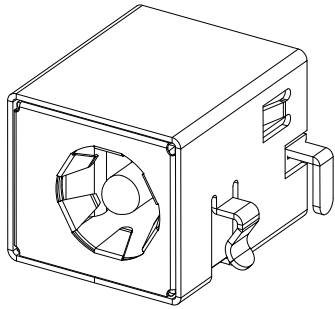




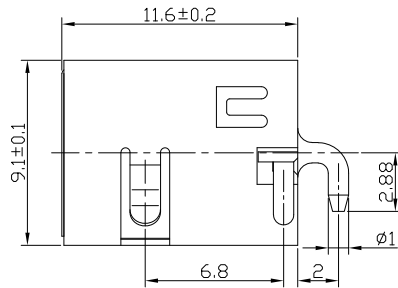
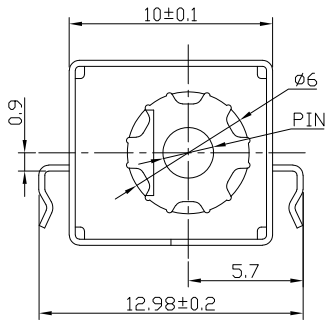
RoHS
Compliant
2002/95/EC

REV.	ECN.	NO.	APPD.

DIMENSIONS



T:1.6 Dimensions of PC board holes
Tolerance : ±0.1(Printed-top view)



MODEL CODE:

DCS0-0258B-C □ 9T BK S 0 1

(1) (2) (3)(4)(5) (6) (7)(8) (9)

(1):Series type:DIP DC POWER JACK.

(2):Series No.

(3):Schematic option: C

(4):Center pin diameter:

G=Ø1.65mm, H=Ø2.0mm, J=Ø2.5mm

(5):Material of housing:

9T=PA9T

(6):Housing color:

BK=Black

(7):Terminal plating

S=Silver(Ag)

(8):Special option:

0=No special option

(9):Packing mode:

1=Reel packing

Specification:

1.Rating :DC 24V 10A.

2.Contact resistance : ≤50mΩ

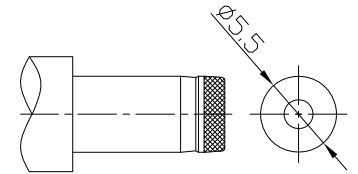
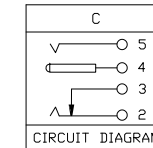
3.Insulation resistance : ≥100MΩ

4.Withstanding voltage: 500VAC 1 MINUTE.

5.Insertion and extraction force: 3~30N.

6.life test: 5000cycles min.

7.Operation temperature range:-25°C~85°C



DC MATE PLUG

Model No.	G	H	J
CENTER PIN	Ø1.65	Ø2.0	Ø2.5

Bill of materials:

NO.	PARTS	MATERIAL	Q'TY	FINISHING	TOLERANCE	ANGLES	UNITS
6	SPRING PIECE	SUS301 T=0.1	1		.X ±0.30	X°, ±5°	mm
5	COAT	SUS430 T=0.3	1		.XX ±0.20	.X° ±3°	
4	PIN	H59	1	Ni-Plating			
3	CONTACT FOOT	C2680EH T=0.4	1	Ag-Plating			
2	SPRING PIECE	C5210EH T=0.3	1	Ag-Plating			
1	HOUSING	PA9T UL94-V0	1				

THESE DRAWINGS AND SPECIFICATIONS ARE THE PROPERTY OF ACCURATE INNOTECH INC AND SHALL NOT BE REPRODUCED, COPIED OR USED IN ANY MANNER WITHOUT THE PRIOR WRITTEN CONSENT OF ACCURATE INNOTECH INC.

雅安科技有限公司 ACCURATE INNOTECH INC.			
TITLE: SMD DC POWER JACK		PART NO.: DCS0-0258B	
DR: Ricky 2023/08/03		DWG NO.: ASS-0258B	
CHKD: Ricky 2023/08/03		SCALE: 1:1	SHEET: 1/1
APPD:		REV: A	CUSTOMER DRAWING