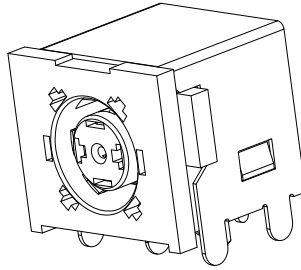
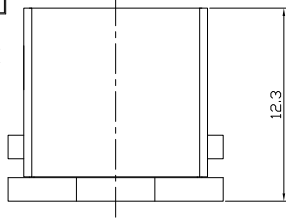




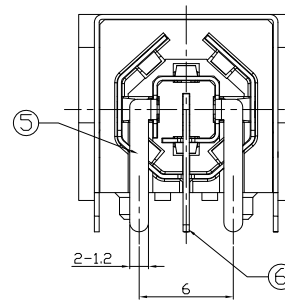
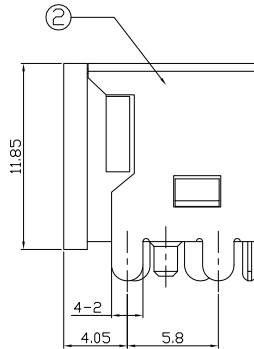
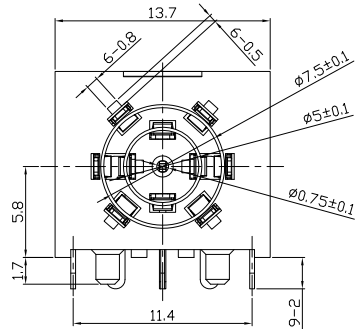
RoHS
Compliant
2002/95/EC

REV.	ECN.	NO.	APPD.

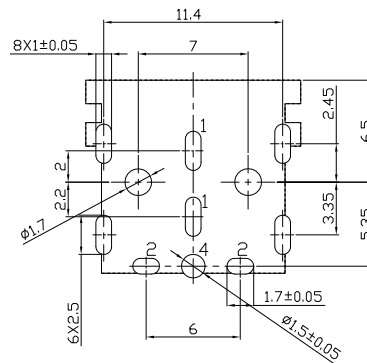
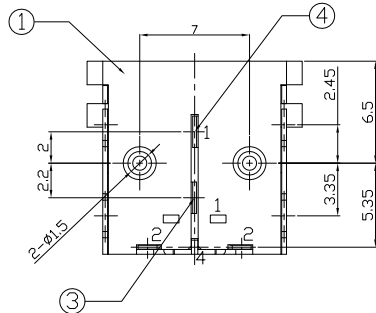
DIMENSIONS



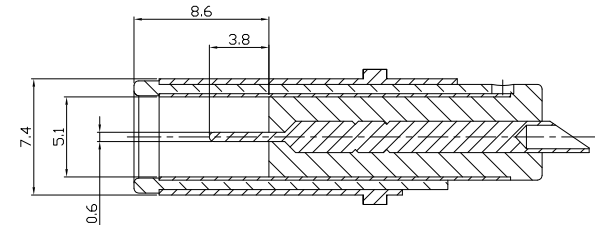
MODEL CODE:
DCS0-0286C- D M 9T BK G 0 1
(1) (2) (3)(4) (5) (6) (7)(8) (9)
(1):Series type:DIP DC POWER JACK.
(2):Series No.
(3):Schematic option: D
(4):Center pin diameter:
M=ø0.6
(5):Material of housing:
9T=PA9T
(6):Housing color:
BK=Black
(7):Terminal plating
G=Gold(Au)
(8):Special option:
0=No special option
(9):Packing mode:
1=Reel packing



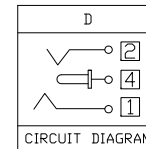
Specification:
1.Rating :DC 50V 3A.
2.Contact resistance :≤100mΩ
3.Insulation resistance :≥100MΩ (DC250V).
4.Withstanding voltage: 500VAC .
5.Insertion and extraction force: 3~30N.
6.life test: 5000cycles min.
7.□peration temperature range:-25°C~85°C



Recommended PCB Layout
[TOP VIEW]



DC MATE PLUG



Model No.	M
CENTER PIN	ø0.6

Bill of materials:

NO.	PARTS	MATERIAL	Q'TY	FINISHING
6	DETECT PIN	C2680	1	Au/Tin:100u"Min
5	POWER PIN	C5210	1	Au:Glod Flash
4	GROUND PIN 2	C5210	1	Au:Glod Flash
3	GROUND PIN 1	C5210	1	Au:Glod Flash
2	SHELL	C2680	1	Ni:50u"Min
1	HOUSING	PA9T	1	UL94V-0

THESE DRAWINGS AND SPECIFICATIONS ARE THE PROPERTY OF ACCURATE INNOTECH INC AND SHALL NOT BE REPRODUCED, COPIED OR USED IN ANY MANNER WITHOUT THE PRIOR WRITTEN CONSENT OF ACCURATE INNOTECH INC.

TOLERANCE	ANGLES	UNITS	mm
.X ± 0.3	X°.±5°	MAT'L	SEE NOTE
.XX ± 0.2	.X°.±3°	FINISH	SEE NOTE
.XXX ± 0.1		Q'TY	

雅安科技有限公司 ACCURATE INNOTECH INC.			
TITLE:	PART NO.:		
DIP DC POWER JACK	DCS0-0286C		
DR: Ricky 2019/03/21	DWG NO.:		
CHKD: Ricky 2019/03/21	ASS-0286C		
APPD:	SCALE	SHEET	REV.
	1:1	1/1	A
			CUSTOMER DRAWING