

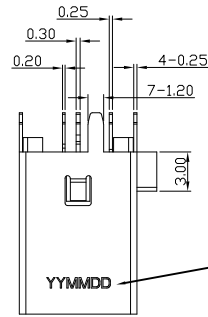
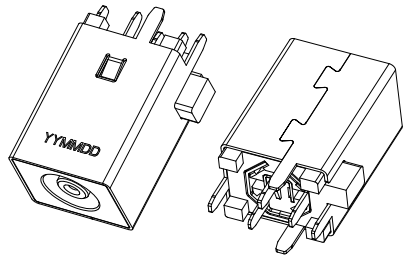


RoHS Compliant
2002/95/EC

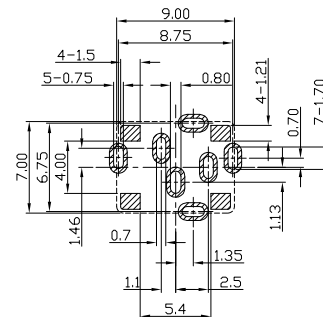
Halogen Free

REV.	ECN. NO.	APPD.

DIMENSIONS



DATE CODE:
YYMMDD
YY:YEAR(15~)
MM:MONTH(01~12)
DD:DAY(01~31)



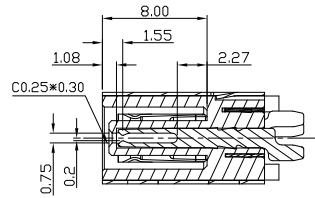
Recommended PCB Layout
[TOP VIEW] TOL:+0.05

MODEL CODE:

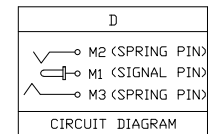
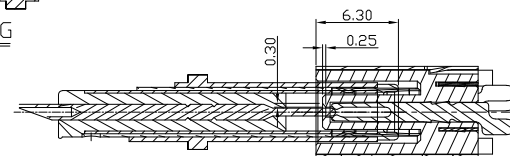
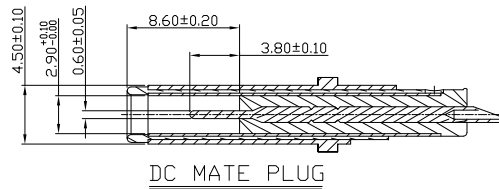
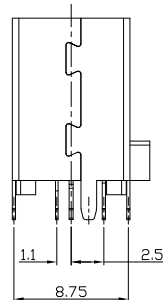
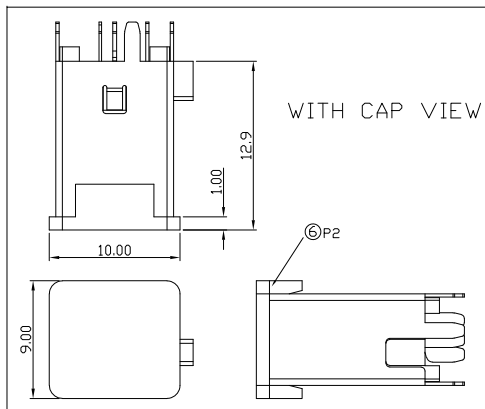
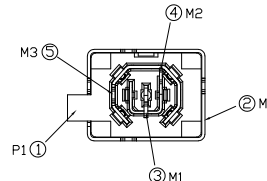
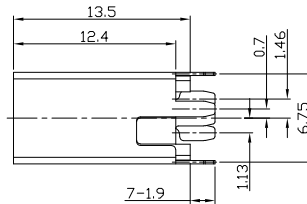
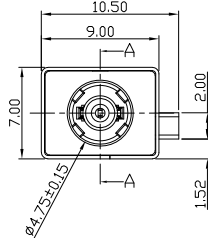
- DCS0-0287A- D M 10 BK G 0 1
(1) (2) (3)(4)(5) (6) (7)(8) (9)
(1):Series type:DIP DC POWER JACK.
(2):Series No.
(3):Schematic option: D
(4):Center pin diameter:
M=∅0.6
(5):Material of housing:
10=PA10T
(6):Housing color:
BK=Black
(7):Terminal plating
G=Gold(Au)
(8):Special option:
0=No special option
(9):Packing mode:
1=Reel packing

Specification:

- Rating : DC 30V 8A.
- Contact resistance : ≤30mΩ
- Insulation resistance : ≥100MΩ (DC250V).
- Withstanding voltage : 500VAC .
- Insertion and extraction force: 3~30N.
- Life test: 5000cycles min.
- Operation temperature range:-25°C~85°C



SECTION A-A



Model No.	M
CENTER PIN	∅0.6

Bill of materials:

NO.	PARTS	MATERIAL	Q'TY	FINISHING
⑥	P2 CAP	PA10T BLACK	1	UL94V-0
⑤	M3 SPRING	C5210-EH 0.25T	1	AU" 1U"
④	M2 SPRING	C5210-EH 0.20T	1	ALLOVER NICKEL 50u"Min
③	M1 SIGNAL	C5210-EH 0.30T	1	Ni 50u"Min
②	MS SHELL	SUS 0.25T	1	UL94V-0
①	P1 HOUSING	PA10T BLACK	1	UL94V-0
NO.	PARTS	MATERIAL	Q'TY	FINISHING

TOLERANCE	ANGLES	UNITS
.X ± 0.25	X°.±5°	mm
.XX ± 0.15	.X°.±3°	MAT'L
		SEE NOTE
		FINISH
		SEE NOTE
		Q'TY

雅安科技有限公司 ACCURATE INNOTECH INC.			
TITLE: DIP DC POWER JACK		PART NO.: DCS0-0287A	
DR: Ricky 2019/03/22		DWG NO.: ASS-0287A	
CHKD: Ricky 2019/03/22		SCALE	SHEET
APPD:		1:1	1/1
		REV.	CUSTOMER
		A	DRAWING

THESE DRAWINGS AND SPECIFICATIONS ARE THE PROPERTY OF ACCURATE INNOTECH INC AND SHALL NOT BE REPRODUCED, COPIED OR USED IN ANY MANNER WITHOUT THE PRIOR WRITTEN CONSENT OF ACCURATE INNOTECH INC.