

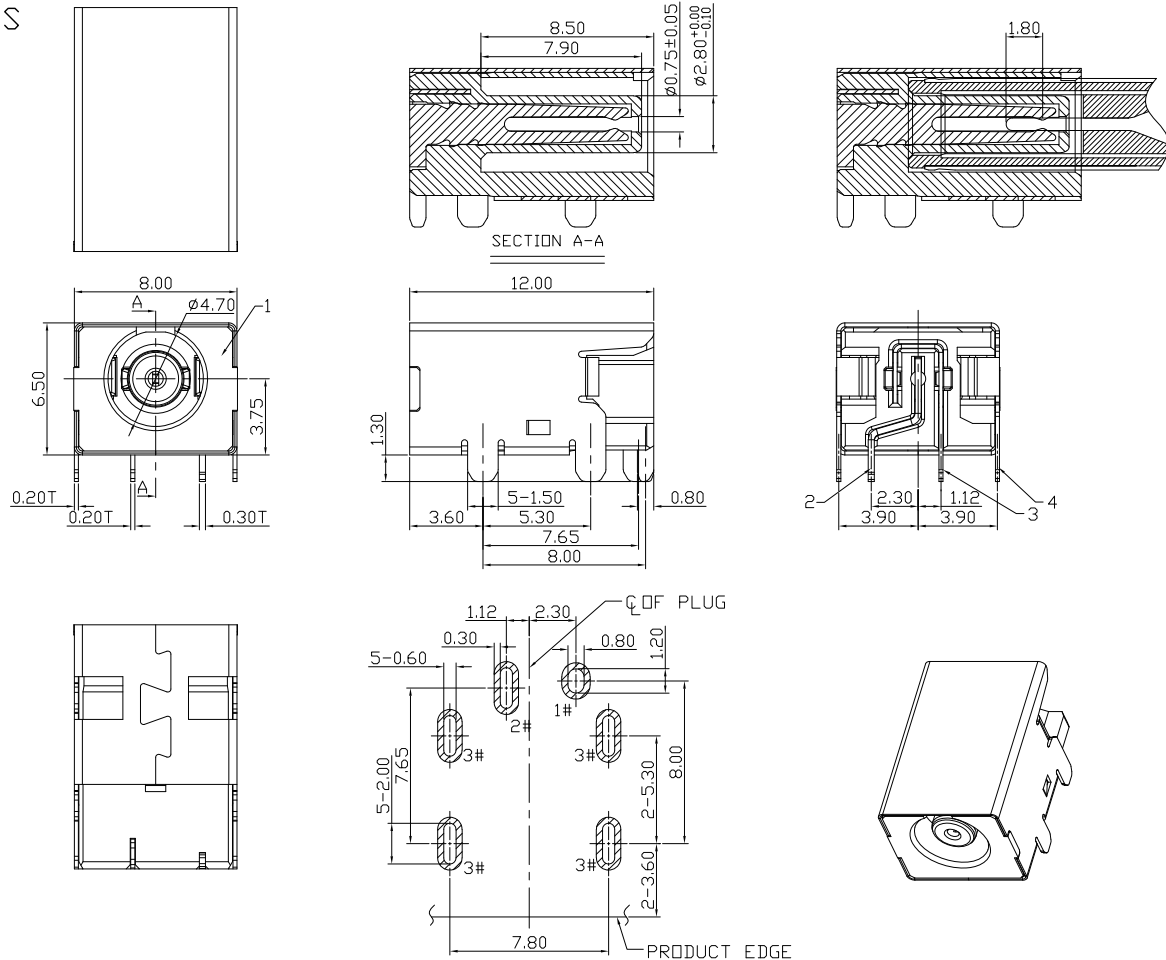


RoHS
Compliant
2002/95/EC

Halogen Free

REV.	ECN.	NO.	APPD.

DIMENSIONS



MODEL CODE:

DCS0-04563-W M 10 BK G 0 1

(1) (2) (3)(4)(5)(6) (7)(8) (9)

(1):Series type:DIP DC POWER JACK.

(2):Series No.

(3):Schematic option: W

(4):Center pin diameter:

M=Ø0.6mm

(5):Material of housing:

10=PA10T

(6):Housing color:

BK=Black

(7):Terminal plating

G=Gold(Au)

(8):Special option:

0=No special option

(9):Packing mode:

1=Reel packing

Specification:

1.Rating :DC 20V 6.5A.

2.Contact resistance :≤30mΩ

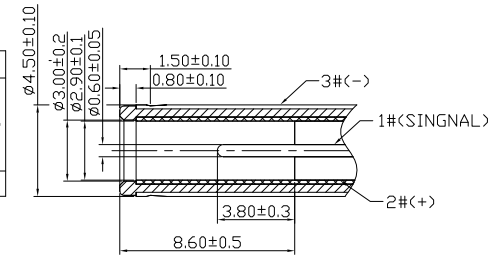
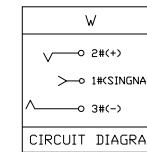
3.Insulation resistance :≥100MΩ

4.Withstanding voltage: 500VAC.

5.Insertion and extraction force: 3~30N.

6.life test: 5000cycles min.

7. Operation temperature range:-25°C~85°C



Model No.	M
CENTER PIN	Ø0.6

Bill of materials:

NO.	PARTS	MATERIAL	Q'TY	FINISHING
4	SHELL	COPPER ALLOY	1	Ni 50u"MIN.
3	SPRING	COPPER ALLOY	1	GOLD FLASH/MATTE TIN 80u"/Ni 40u"
2	CENTER PIN	COPPER ALLOY	1	GOLD FLASH/MATTE TIN 80u"/Ni 40u"
1	HOUSING	HIGH TEMP.THERMOPLASTIC PA10T	1	BLACK

THESE DRAWINGS AND SPECIFICATIONS ARE THE PROPERTY OF ACCURATE INNOTECH INC AND SHALL NOT BE REPRODUCED, COPIED OR USED IN ANY MANNER WITHOUT THE PRIOR WRITTEN CONSENT OF ACCURATE INNOTECH INC.

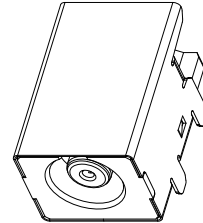
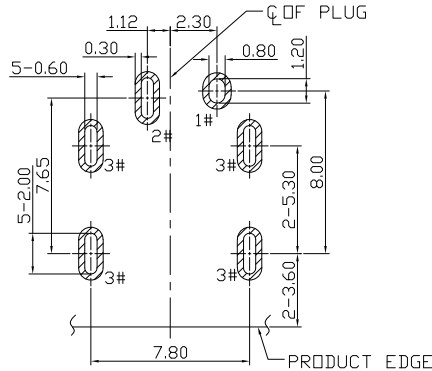
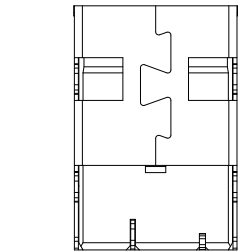
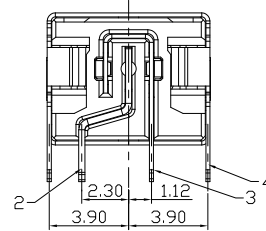
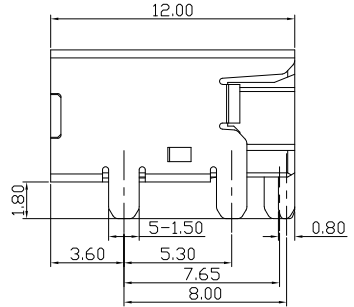
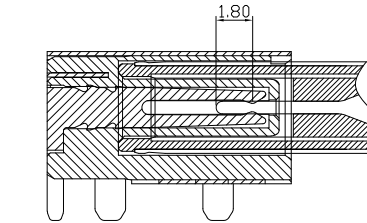
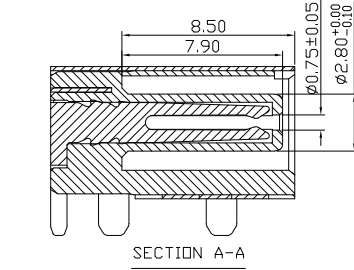
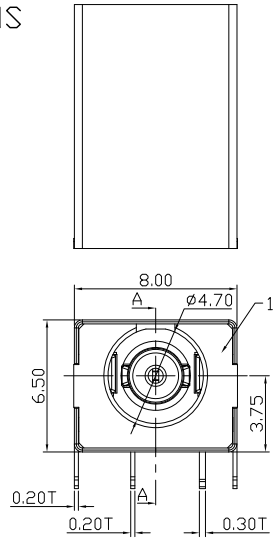
UNITS	mm	雅安科技有限公司 ACCURATE INNOTECH INC.			
MAT'L	SEE NOTE				
FINISH	SEE NOTE	TITLE:	PART NO.:		
Q'TY	SEE NOTE	DIP DC POWER JACK	DCS0-04563		
APPD:		DR:	2023/08/07		DWG NO.:
		CHKD:	2023/08/07		ASS-04563
		SCALE	SHEET	REV.	CUSTOMER
		1:1	1/1	A	DRAWING



RoHS
Compliant
2002/95/EC

Halogen Free

DIMENSIONS



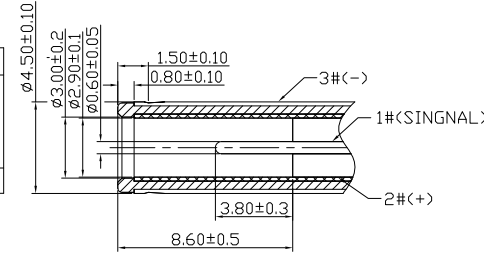
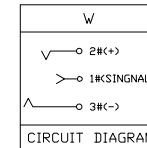
MODEL CODE:

DCS0-04568-W M 10 BK G 0 1

- (1) (2) (3)(4)(5)(6) (7)(8) (9)
- (1):Series type:DIP DC POWER JACK.
- (2):Series No.
- (3):Schematic option: W
- (4):Center pin diameter:
M=Ø0.6mm
- (5):Material of housing:
10=PA10T
- (6):Housing color:
BK=Black
- (7):Terminal plating
G=Gold(Au)
- (8):Special option:
0=No special option
- (9):Packing mode:
1=Reel packing

Specification:

- 1.Rating :DC 20V 6.5A.
- 2.Contact resistance :≤30mΩ
- 3.Insulation resistance :≥100MΩ
- 4.Withstanding voltage: 500VAC.
- 5.Insertion and extraction force: 3~30N.
- 6.life test: 5000cycles min.
- 7. Operation temperature range:-25°C~85°C



Model No.	M
CENTER PIN	Ø0.6

DC MATE PLUG

Bill of materials:

NO.	PARTS	MATERIAL	Q'TY	FINISHING
4	SHELL	COPPER ALLOY	1	Ni 50u"MIN.
3	SPRING	COPPER ALLOY	1	GOLD FLASH/MATTE TIN 80u"/Ni 40u"
2	CENTER PIN	COPPER ALLOY	1	GOLD FLASH/MATTE TIN 80u"/Ni 40u"
1	HOUSING	HIGH TEMP.THERMOPLASTIC PA10T	1	BLACK

THESE DRAWINGS AND SPECIFICATIONS ARE THE PROPERTY OF ACCURATE INNOTECH INC AND SHALL NOT BE REPRODUCED, COPIED OR USED IN ANY MANNER WITHOUT THE PRIOR WRITTEN CONSENT OF ACCURATE INNOTECH INC.

UNITS	mm	雅安科技有限公司 ACCURATE INNOTECH INC.			
MAT'L	SEE NOTE				
FINISH	SEE NOTE	TITLE:	PART NO.:		
Q'TY		DIP DC POWER JACK	DCS0-04568		
		DR: <i>Ricky</i> 2023/08/07	DWG NO.:		
		CHKD: <i>Ricky</i> 2023/08/07	ASS-04568		
		APPD:	SCALE	SHEET	REV.
			1:1	1/1	A
			CUSTOMER DRAWING		