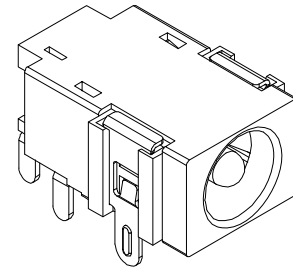




RoHS
Compliant
2002/95/EC

REV.	ECN. NO.	APPD.

DIMENSIONS



MODEL CODE:

DCT0-00090H- Y G 66 BK S 0 4

(1) (2) (3)(4)(5) (6)(7)(8)(9)

(1):Series type:DIP DC POWER JACK.

(2):Series No.

(3):Schematic option: Y

(4):Center pin diameter:
G=φ1.65mm

(5):Material of housing:
66=PA66

(6):Housing color:
BK=Black

(7):Terminal plating:
S=Silver(Ag)

(8):Special option:
0=No special option

(9):Packing mode:
4=Bag packing

Specification:

1.Rating : 5A/16V DC Max.

2.Contact resistance: ≤30mΩ
After test:≤60mΩ

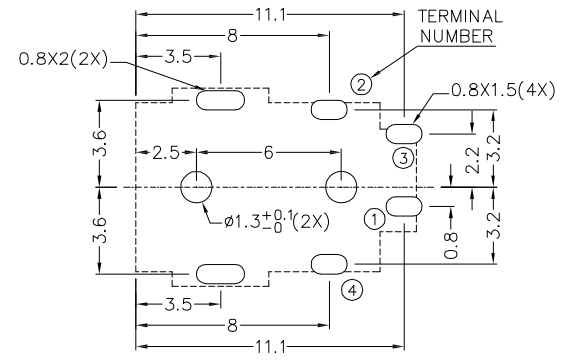
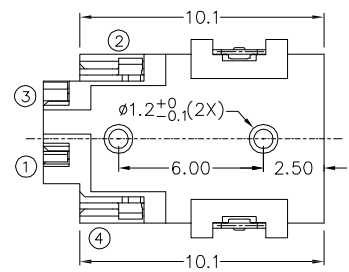
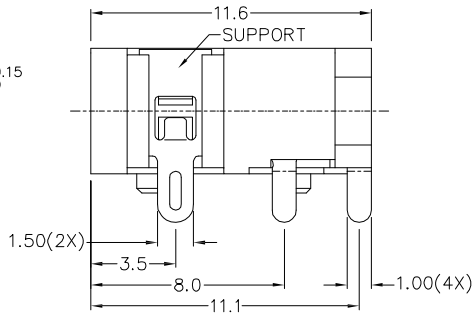
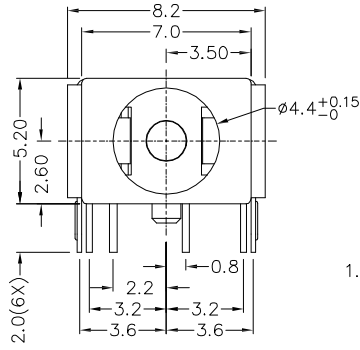
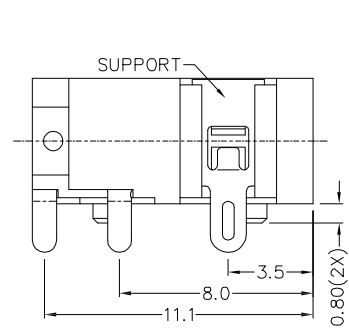
3.Insulation resistance: ≥100MΩ (DC500V).
After test:≥50MΩ

4.Withstanding voltage: 500VAC.

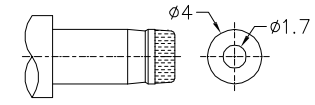
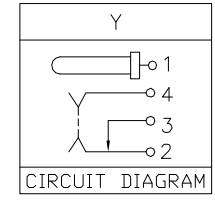
5.Insertion and extraction force: 0.3~3Kgs.

6.Life test: 5,000cycles min.

7.Operation temperature range:-25℃~85℃.



RECOMMENDED PCB LAYOUT
TOLERANCE: ±0.05
(TOP VIEW)



MODEL NO.	G
CENTER PIN	φ1.65mm

Bill of materials:

NO.	PARTS	MATERIAL	Q'TY	FINISHING
6	TERMINAL 1	BRASS	1	SILVER PLATED
5	TERMINAL 2	COPPER ALLOY	1	SILVER PLATED
4	TERMINAL 3	BRASS	1	SILVER PLATED
3	TERMINAL 4	COPPER ALLOY	1	SILVER PLATED
2	SUPPORT	BRASS	1	NICKEL PLATED
1	HOUSING	PA66	1	UL94V-0

TOLERANCE	ANGLES	UNITS
X.X ±0.2		mm
X.XX ±0.1		
X.XXX ±0.005		

雅安科技有限公司
ACCURATE INNOTECH INC.

TITLE: DIP DC POWER JACK

PART NO.: DCT0-00090H

DR: Ricky 2020/08/13

DWG NO.: AT0-00090H

CHKD: Ricky 2020/08/13

APPD:

SCALE	SHEET	REV.	CUSTOMER
4:1	1/1	A	DRAWING

THESE DRAWINGS AND SPECIFICATIONS ARE THE PROPERTY OF ACCURATE INNOTECH INC AND SHALL NOT BE REPRODUCED, COPIED OR USED IN ANY MANNER WITHOUT THE PRIOR WRITTEN CONSENT OF ACCURATE INNOTECH INC.