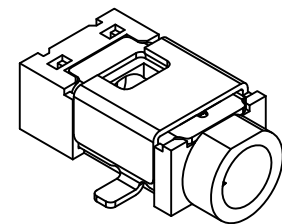


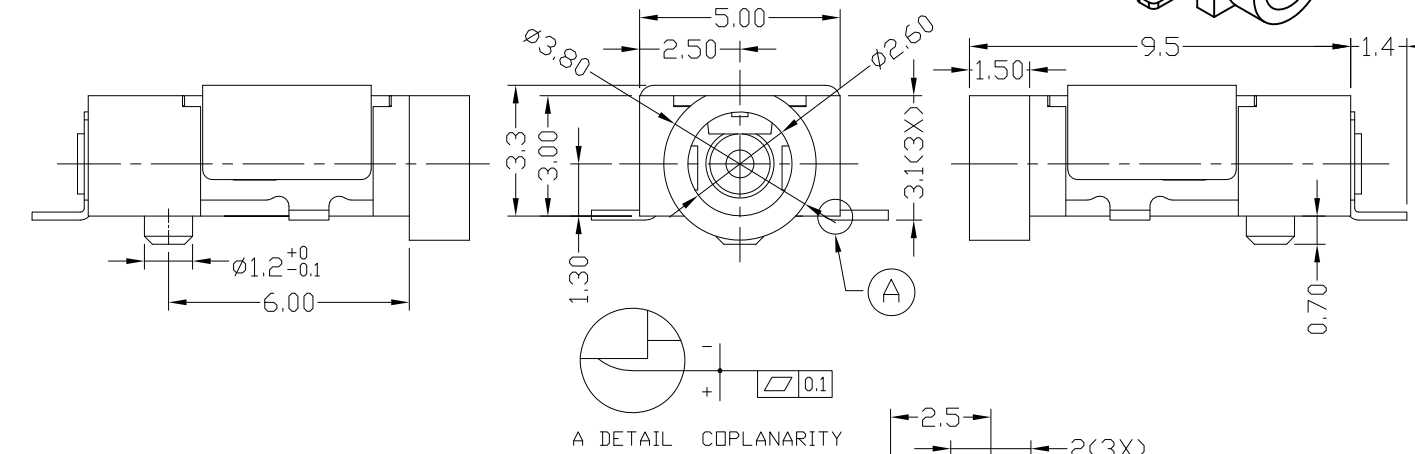
RoHS Compliant
2002/95/EC
Halogen Free

REV.	ECN. NO.	APPD.

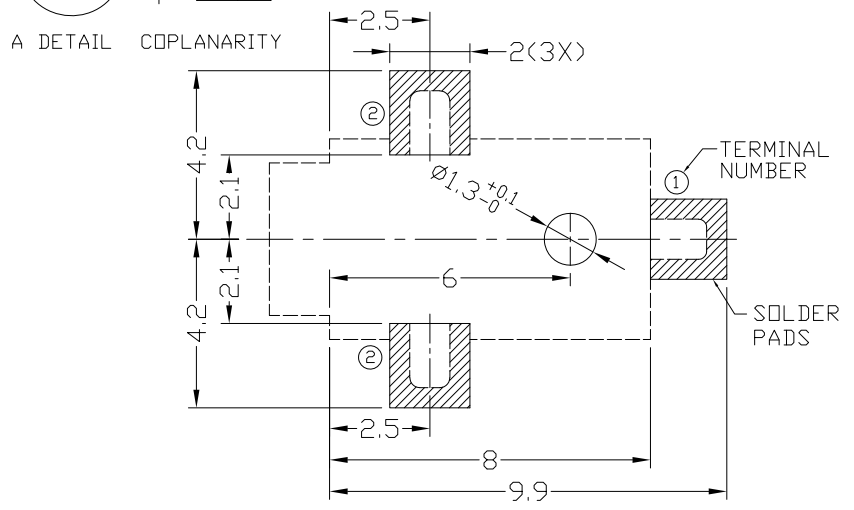
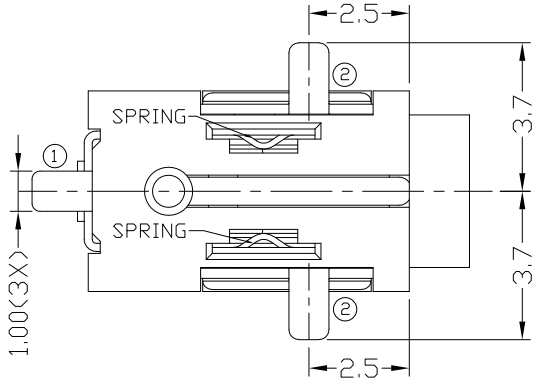
DIMENSIONS



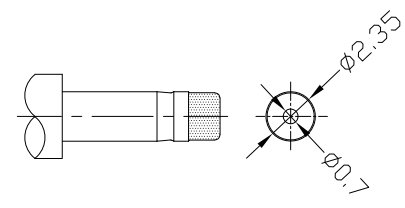
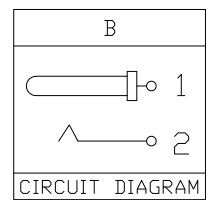
MODEL CODE:
DCT0-0063DS- B A 10 BK S 0 1
 (1) (2) (3)(4)(5) (6)(7)(8) (9)
 (1):Series type:SMD DC POWER JACK.
 (2):Series No.
 (3):Schematic option: B
 (4):Center pin diameter:
 A=∅0.65mm
 (5):Material of housing:
 10=PA10T
 (6):Housing color:
 BK=Black
 (7):Terminal plating:
 S=Silver(Ag)
 (8):Special option:
 0=No special option
 (9):Packing mode:
 1=Reel packing



Specification:
 1.Rating : 1A/16V DC Max.
 2.Contact resistance: ≤30mΩ
 After test:≤60mΩ
 3.Insulation resistance: ≥100MΩ (DC500V).
 After test:≥50MΩ
 4.Withstanding voltage: 500VAC.
 5.Insertion and extraction force: 0.3~3Kgs..
 6.Life test: 5,000cycles min.
 7.Operation temperature range:-25℃~85℃.



RECOMMENDED P.C.B. LAYOUT
 TOLERANCE:±0.05
 (TOP VIEW)



MODEL NO.	A
CENTER PIN	∅0.65mm

Bill of materials:

NO.	PARTS	MATERIAL	Q'TY	FINISHING	TOLERANCE	ANGLES	UNITS	MAT'L	FINISH	Q'TY	APPD:	SCALE	SHEET	REV.	CUSTOMER DRAWING
6	CENTER PIN	COPPER	1	NICKEL PLATED	X.X ±0.2		mm		SEE NOTE		雅安科技有限公司 ACCURATE INNOTECH INC.	TITLE: SMD DC POWER JACK	PART NO.:		
5	TERMINAL 1	BRASS	1	SILVER PLATED	X.XX ±0.1					DR: Ricky 2018/10/03			DWG NO.:		
4	TERMINAL 2	COPPER ALLOY	1	SILVER PLATED	X.XXX ±0.005					CHKD: Ricky 2018/10/03			AT0-0063DS		
3	SPRING	STAINLESS STEEL	1								APPD:	1:1	1/1	A	
2	SHIELD	BRASS	1	NICKEL PLATED											
1	COVER	PA10T	1	UL94V-0											

THESE DRAWINGS AND SPECIFICATIONS ARE THE PROPERTY OF ACCURATE INNOTECH INC AND SHALL NOT BE REPRODUCED, COPIED OR USED IN ANY MANNER WITHOUT THE PRIOR WRITTEN CONSENT OF ACCURATE INNOTECH INC.