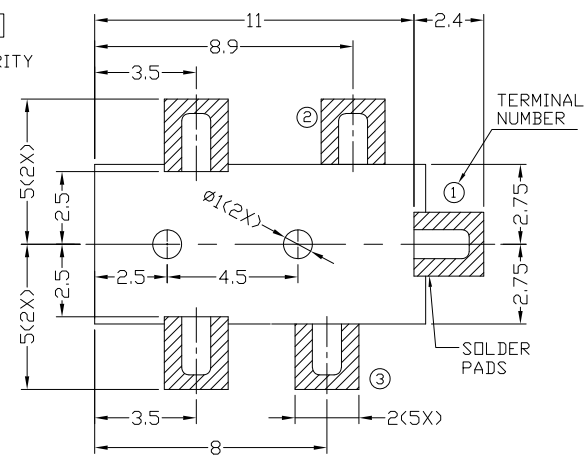
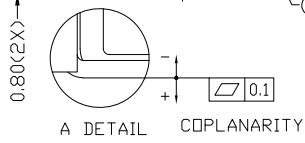
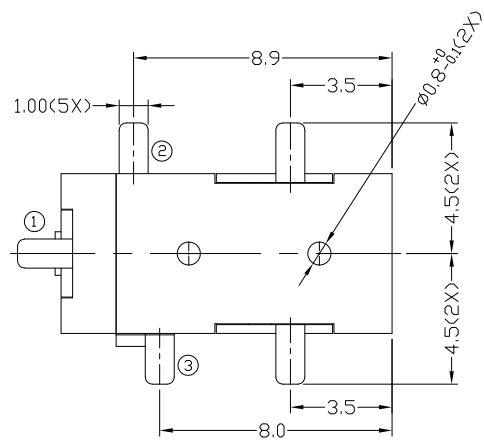
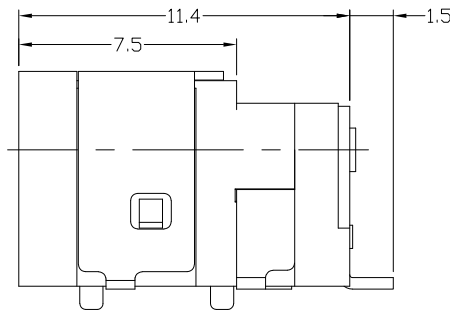
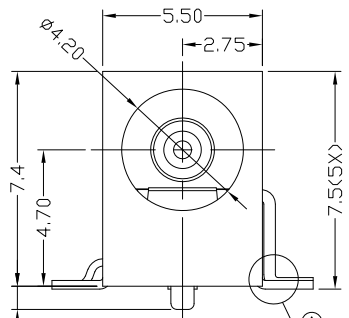
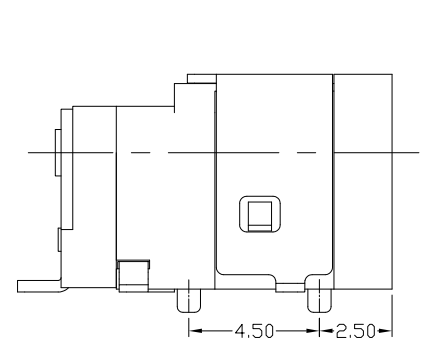
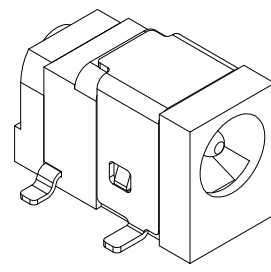



RoHS Compliant
 2002/95/EC
Halogen Free

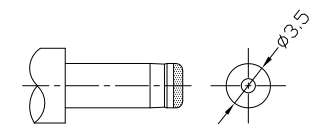
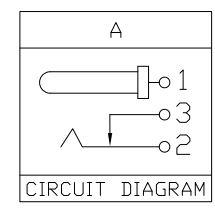
REV.	ECN. NO.	APPD.

DIMENSIONS



MODEL CODE:
DCT0-050DHS- A □ 10 BK S 0 1
 (1) (2) (3)<(4)<(5) (6) (7)<(8) (9)
 (1):Series type:SMD DC POWER JACK.
 (2):Series No.
 (3):Schematic option: A
 (4):Center pin diameter:
 C= $\phi 1.0\text{mm}$, E= $\phi 1.3\text{mm}$
 (5):Material of housing:
 10=PA10T
 (6):Housing color:
 BK=Black
 (7):Terminal plating:
 S=Silver(Ag)
 (8):Special option:
 0=No special option
 (9):Packing mode:
 1=Reel packing

Specification:
 1.Rating : 3.5A/16V DC Max.
 2.Contact resistance: $\leq 30\text{m}\Omega$
 After test: $\leq 60\text{m}\Omega$
 3.Insulation resistance: $\geq 100\text{M}\Omega$ (DC500V).
 After test: $\geq 50\text{M}\Omega$
 4.Withstanding voltage: 500VAC.
 5.Insertion and extraction force: 0.3~3Kgs..
 6.Life test: 5,000cycles min.
 7.Operation temperature range:-25°C~85°C.



MODEL NO.	C	E
CENTER PIN	$\phi 1.0\text{mm}$	$\phi 1.3\text{mm}$

Bill of materials:

NO.	PARTS	MATERIAL	Q'TY	FINISHING
7	CENTER PIN	COPPER	1	NICKEL PLATED
6	TERMINAL 1	BRASS	1	SILVER PLATED
5	TERMINAL 2	COPPER ALLOY	1	SILVER PLATED
4	TERMINAL 3	BRASS	1	SILVER PLATED
3	SHIELD	COLD ROLLED STEEL	1	SILVER PLATED
2	HOUSING	PA10T	1	UL94V-0
1	COVER	PA10T	1	UL94V-0

TOLERANCE	ANGLES	UNITS
X.X ± 0.2		mm
X.XX ± 0.1		MAT'L
X.XXX ± 0.005		SEE NOTE
		FINISH
		SEE NOTE
		Q'TY

THESE DRAWINGS AND SPECIFICATIONS ARE THE PROPERTY OF ACCURATE INNOTECH INC AND SHALL NOT BE REPRODUCED, COPIED OR USED IN ANY MANNER WITHOUT THE PRIOR WRITTEN CONSENT OF ACCURATE INNOTECH INC.

雅安科技有限公司 ACCURATE INNOTECH INC.			
TITLE: SMD DC POWER JACK		PART NO.: DCT0-050DHS	
DR: Ricky 2018/10/01		DWG NO.: AT0-050DHS	
CHKD: Ricky 2018/10/01		SCALE: 1:1	SHEET: 1/1
APPD:		REV: A	CUSTOMER DRAWING