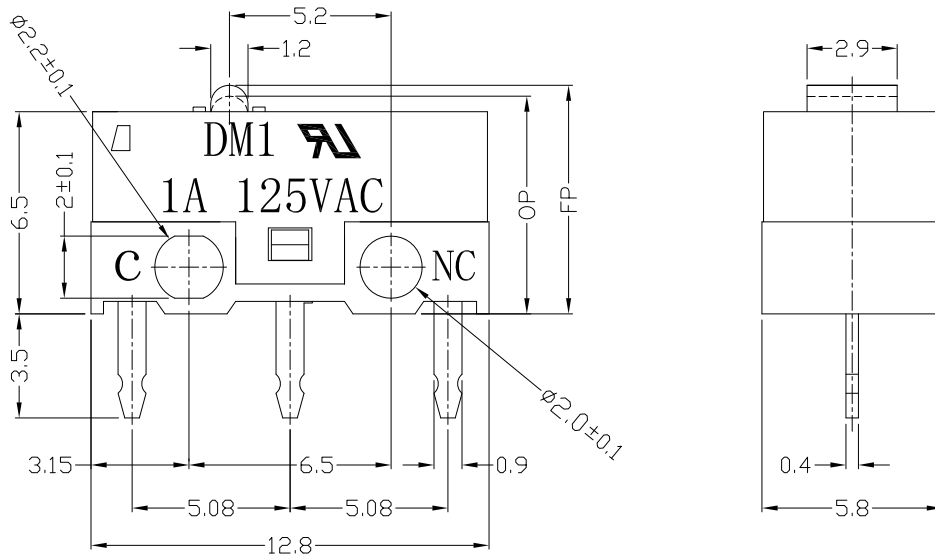




RoHS Compliant  
2002/95/EC

REV.	ECN.	NO.	APPD.

DIMENSIONS

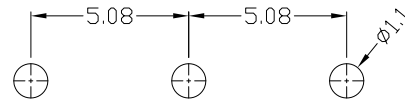


1. Functional spec

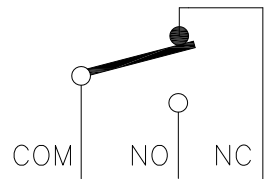
1.1 Rated Voltage	125VAC/DC5V
1.2 Rated Current	1A/30mA
1.3 Contact Resistance	≤100mΩ(Initial value)
1.4 Operating Force	60±20gf   130±30gf
1.5 Bounce Time	
1.6 Free Position	7.35±0.2mm
1.7 Operating Position	7.0±0.2mm
1.8 Position Travel	
1.9 Return Force	

MODEL CODE

DM 1-00 X-XX-3  
1 2 3 4 5 6



P.C.B LAYOUT



CIRCUIT DIAGRAM

- 1.Series : DM
- 2.Current Rating : 1=1A 125VAC ; 30mA DC5V
- 3.Actuator : 00=non-lever 01-99=Lever
- 4.Termination : see chart (P/C/D/T/N)
- 5.Operating Force : see chart
- 6.Button colour : 3=white
- 7.Cover type : No-0=have two lines

2. Reliable Rating

2.1 Mechanical Life	1,000,000 CYCLES
2.2 Electrical Life	10,000 CYCLES
2.3 Insulation Resistance	≥100MΩ DC500V
2.4 Withstand Voltage	AC500V 1 minute
2.5 Soldering Technic	Hand Soldering
2.6 Operating Temper	-25°C ~ +65°C
2.7 Ambient Humidity Used	<85%RH

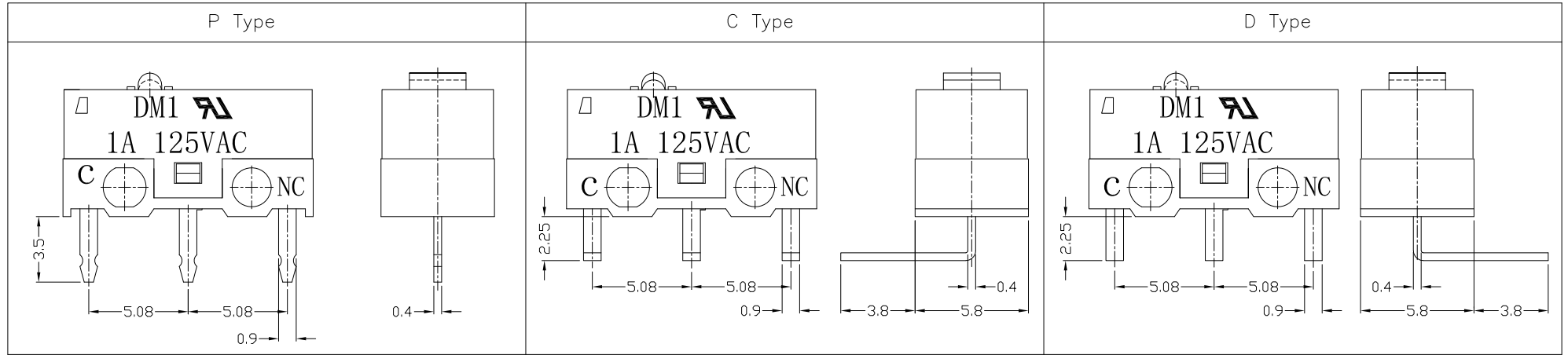
Tolerance:±0.2	UNITS mm	雅安科技有限公司 ACCURATE INNOTECH INC.				
	MAT'L					
	SEE NOTE	TITLE:	PART NO.:			
	FINISH	MICRO SWITCH DM SERIES	DM1-00P-XX-3			
	SEE NOTE	DR: <i>Ricky</i> 2017/2/15	DWG NO.:			
	Q'TY	CHKD: <i>Ricky</i> 2017/2/15	ATD-00X-XX-3			
THESE DRAWINGS AND SPECIFICATIONS ARE THE PROPERTY OF ACCURATE INNOTECH INC AND SHALL NOT BE REPRODUCED, COPIED OR USED IN ANY MANNER WITHOUT THE PRIOR WRITTEN CONSENT OF ACCURATE INNOTECH INC.		APPD:	SCALE	SHEET	REV.	CUSTOMER DRAWING
			1:1	1/2	A	



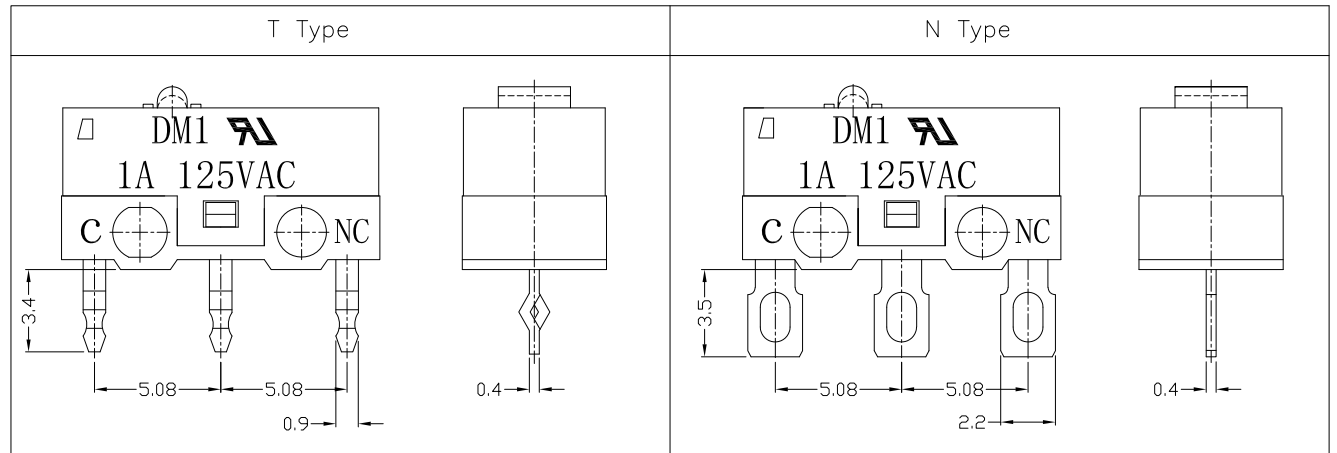
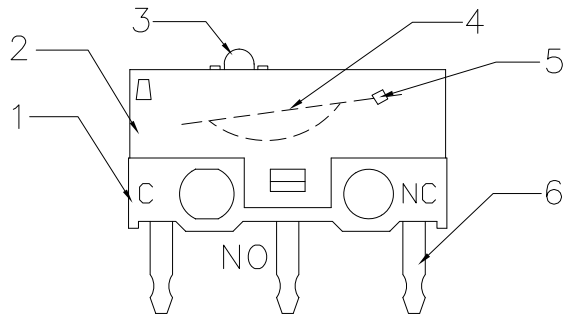
RoHS Compliant  
2002/95/EC

REV.	ECN.	NO.	APPD.

### Terminal Type



### Structure chart



### Material list

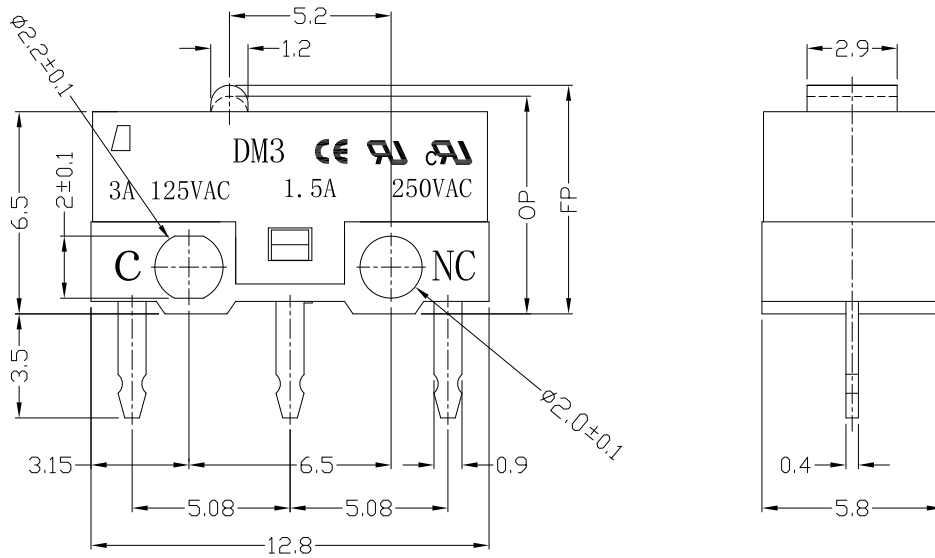
8					Tolerance:±0.2	UNITS	mm	雅安科技有限公司 ACCURATE INNOTECH INC.						
7						MAT'L								
6	Terminal	C2680	3			SEE NOTE		TITLE:	PART NO:					
5	Contact	Silver alloy	1			SEE NOTE		MICRO SWITCH DM SERIES	DM1-00X-XX-3					
4	Spring Plate	C1720	1			FINISH		DR:	Ricky 2017/2/15		DWG NO:	ATD-00X-XX-3		
3	Button	PBT	1	WHITE		SEE NOTE		CHKD:	Ricky 2017/2/15		SCALE	SHEET	REV.	CUSTOMER
2	Case	PBT	1	BLACK				APPD:			1:1	2/2	A	DRAWING
1	Base	PBT	1	WHITE										
NO.	PARTS	MATERIAL	Q'TY	FINISHING	THESE DRAWINGS AND SPECIFICATIONS ARE THE PROPERTY OF ACCURATE INNOTECH INC AND SHALL NOT BE REPRODUCED, COPIED OR USED IN ANY MANNER WITHOUT THE PRIOR WRITTEN CONSENT OF ACCURATE INNOTECH INC.									



RoHS Compliant  
2002/95/EC

REV.	ECN.	NO.	APPD.

DIMENSIONS

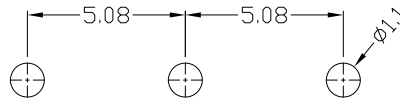


1.Functional spec

1.1 Rated Voltage	125VAC/250VAC
1.2 Rated Current	3A/1.5A
1.3 Contact Resistance	≤100mΩ(Initial value)
1.4 Operating Force	60±20gf   130±30gf
1.5 Bounce Time	
1.6 Free Position	7.35±0.2mm
1.7 Operating Position	7.0±0.2mm
1.8 Position Travel	
1.9 Return Force	

MODEL CODE

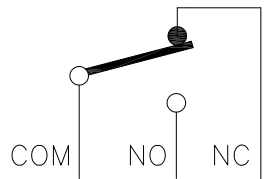
DM 3-00 X-XX-6-0  
1 2 3 4 5 6 7



P.C.B LAYOUT

2.Reliable Rating

2.1 Mechanical Life	1,000,000 CYCLES
2.2 Electrical Life	10,000 CYCLES
2.3 Insulation Resistance	≥100MΩ DC500V
2.4 Withstand Voltage	AC500V 1 minute
2.5 Soldering Technic	Hand Soldering
2.6 Operating Temper	-25°C ~ +65°C
2.7 Ambient Humidity Used	<85%RH



CIRCUIT DIAGRAM

- 1.Series : DM
- 2.Current Rating : 3=3A 125VAC ; 1.5A 250VAC
- 3.Actuator : 00=non-lever 01-99=Lever
- 4.Termination : see chart (P/C/D/T/N)
- 5.Operating Force : see chart
- 6.Button colour : 6=grey
- 7.Cover type : 0=No two lines

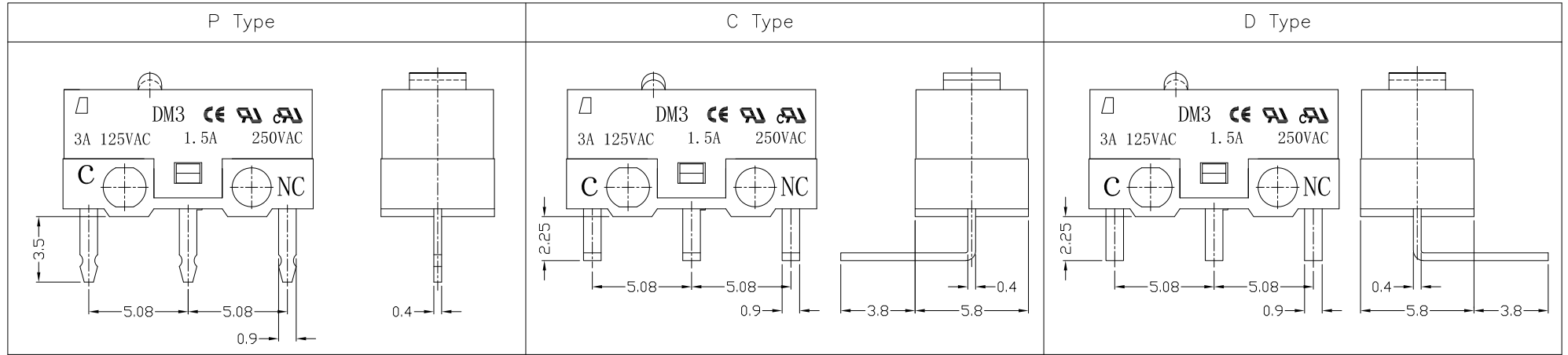
Tolerance:±0.2	UNITS	雅安科技有限公司 ACCURATE INNOTECH INC.			
	mm				
	MAT'L	TITLE:		PART NO.:	
	SEE NOTE	MICRO SWITCH DM SERIES		DM3-00P-XX-6-0	
	FINISH	DR: <i>Ricky</i> 2017/2/20		DWG NO.:	
	SEE NOTE	CHKD: <i>Ricky</i> 2017/2/20		ATD-00X-XX-6-0	
THESE DRAWINGS AND SPECIFICATIONS ARE THE PROPERTY OF ACCURATE INNOTECH INC AND SHALL NOT BE REPRODUCED, COPIED OR USED IN ANY MANNER WITHOUT THE PRIOR WRITTEN CONSENT OF ACCURATE INNOTECH INC.	Q'TY	APPD:		SCALE	SHEET
				1:1	1/2
				REV.	CUSTOMER DRAWING
				A	



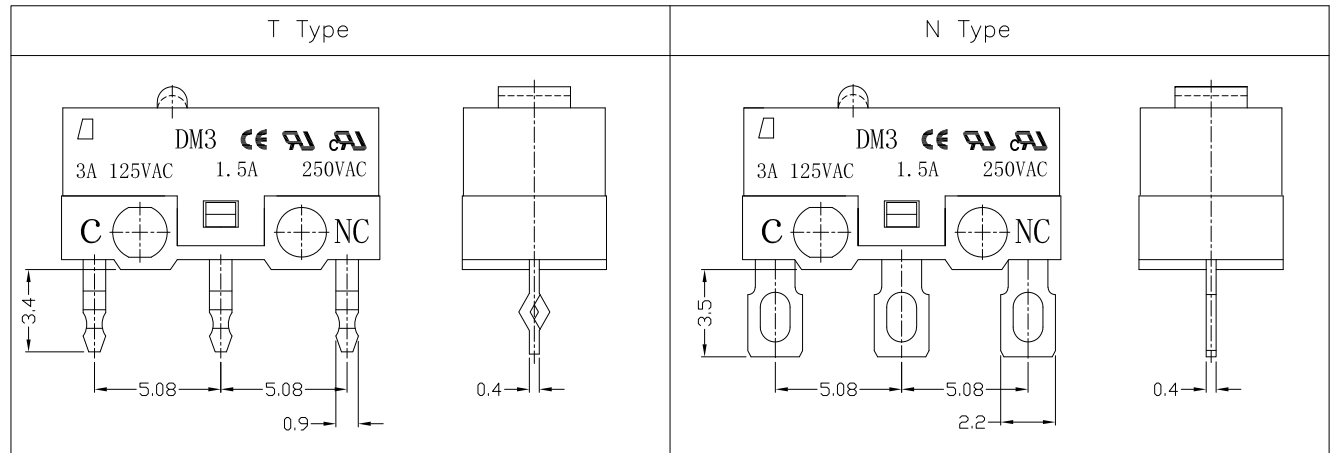
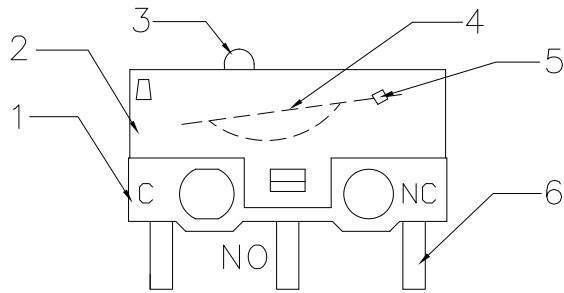
RoHS Compliant  
2002/95/EC

REV.	ECN.	NO.	APPD.

### Terminal Type



### Structure chart



### Material list

8						Tolerance:±0.2	UNITS	mm	雅安科技有限公司 ACCURATE INNOTECH INC.				
7							MAT'L						TITLE:
6	Terminal	C2680	3						SEE NOTE	MICRO SWITCH DM SERIES	DM3-00X-XX-6-0		
5	Contact	Silver alloy	3							DR:	2017/2/20		
4	Spring Plate	C1720	1							CHKD:	2017/2/20		
3	Button	Nylon	1	GREY						APPD:	2017/2/20		
2	Case	PBT	1	BLACK						SCALE	SHEET	REV.	CUSTOMER
1	Base	PBT	1	WHITE						1:1	2/2	A	DRAWING
NO.	PARTS	MATERIAL	Q'TY	FINISHING									

THESE DRAWINGS AND SPECIFICATIONS ARE THE PROPERTY OF ACCURATE INNOTECH INC AND SHALL NOT BE REPRODUCED, COPIED OR USED IN ANY MANNER WITHOUT THE PRIOR WRITTEN CONSENT OF ACCURATE INNOTECH INC.

