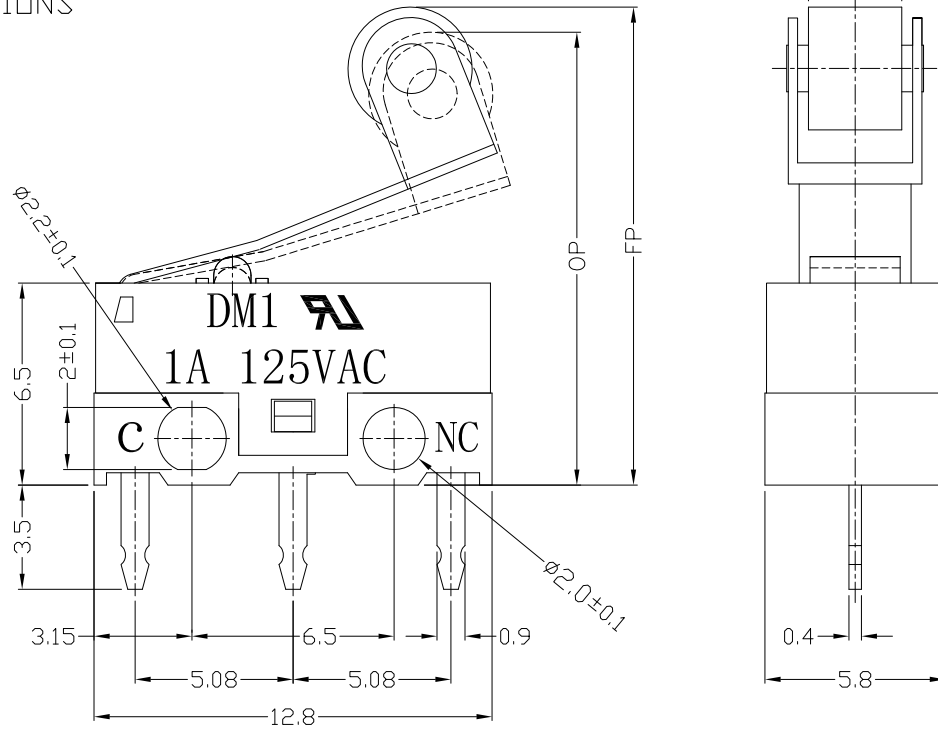




RoHS Compliant  
2002/95/EC

REV.	ECN.	NO.	APPD.

DIMENSIONS



1. Functional spec

1.1 Rated Voltage	125VAC/DC5V
1.2 Rated Current	1A/30mA
1.3 Contact Resistance	≤100mΩ(Initial value)
1.4 Operating Force	25±15gf   30(20~50)gf
1.5 Bounce Time	
1.6 Free Position	15.6±1.0mm
1.7 Operating Position	14.8±1.0mm
1.8 Position Travel	
1.9 Return Force	

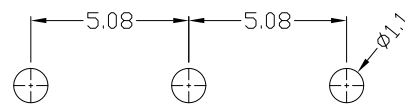
2. Reliable Rating

2.1 Mechanical Life	1,000,000 CYCLES
2.2 Electrical Life	10,000 CYCLES
2.3 Insulation Resistance	≥100MΩ DC500V
2.4 Withstand Voltage	AC500V 1 minute
2.5 Soldering Technic	Hand Soldering
2.6 Operating Temper	-25°C ~ +65°C
2.7 Ambient Humidity Used	<85%RH

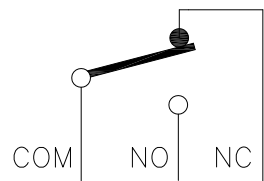
MODEL CODE

DM 1- 13 X- XX- 3

1 2 3 4 5 6



P.C.B LAYOUT



CIRCUIT DIAGRAM

- 1.Series : DM
- 2.Current Rating : 1=1A 125VAC ; 30mA DC5V
- 3.Actuator : 00=non-lever 01-99=Lever
- 4.Termination : see chart (P/C/D/T/N)
- 5.Operating Force : see chart
- 6.Button colour : 3=white
- 7.Cover type : No-0=have two lines

Tolerance:±0.2	UNITS mm	雅安科技有限公司 ACCURATE INNOTECH INC.			
	MAT'L				
	SEE NOTE	DR: Ricky 2017/2/17	DWG NO: ATD-13X-XX-3		
	FINISH	CHKD: Ricky 2017/2/17	SCALE	SHEET	REV.
	SEE NOTE	Q'TY	1:1	1/2	A
			CUSTOMER DRAWING		

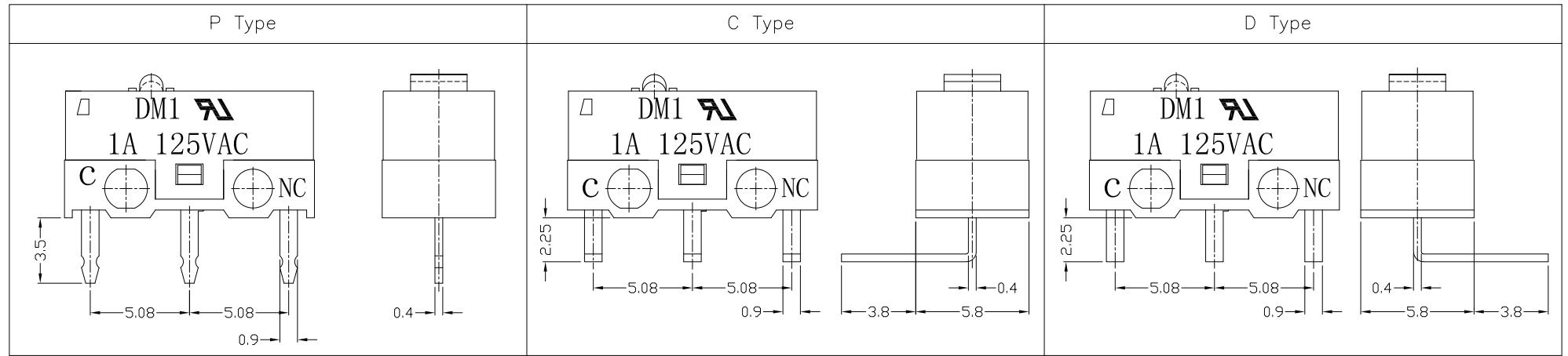
THESE DRAWINGS AND SPECIFICATIONS ARE THE PROPERTY OF ACCURATE INNOTECH INC AND SHALL NOT BE REPRODUCED, COPIED OR USED IN ANY MANNER WITHOUT THE PRIOR WRITTEN CONSENT OF ACCURATE INNOTECH INC.



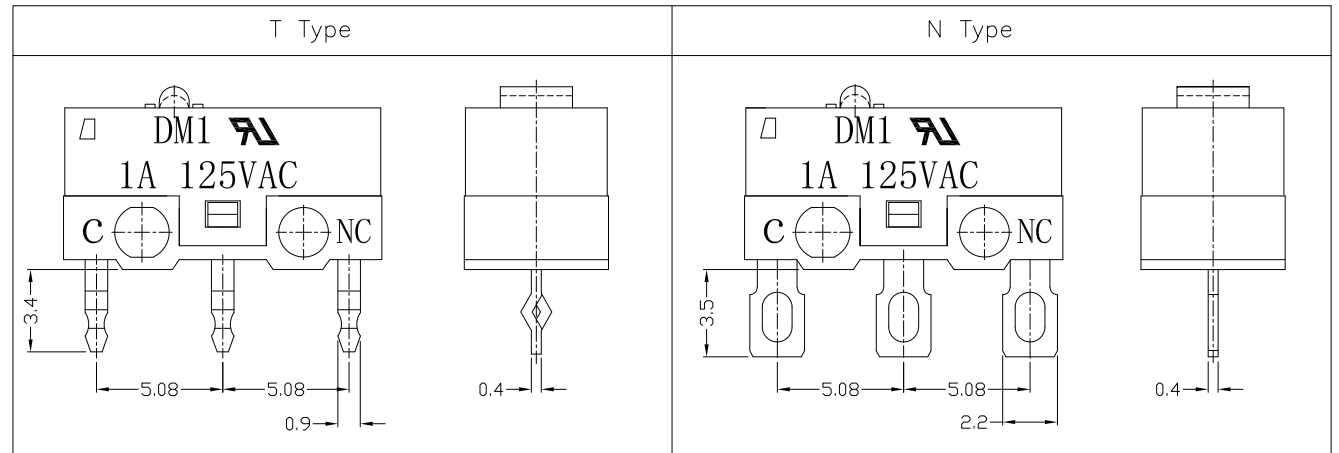
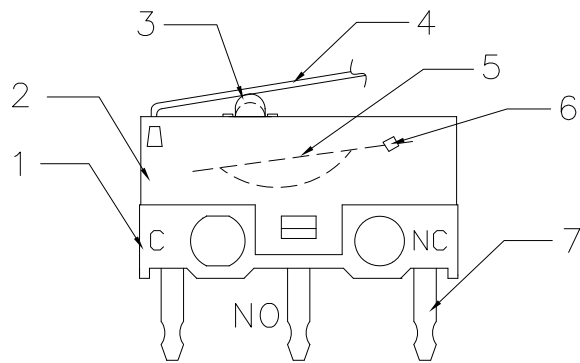
RoHS Compliant  
2002/95/EC

REV.	ECN.	NO.	APPD.

### Terminal Type



### Structure chart



### Material list

NO.	PARTS	MATERIAL	Q'TY	FINISHING															
8																			
7	Terminal	C2680	3																
6	Contact	Silver alloy	1																
5	Spring Plate	C1720	1																
4	Lever	SUS301	1																
3	Button	PBT	1	WHITE															
2	Case	PBT	1	BLACK															
1	Base	PBT	1	WHITE															

THESE DRAWINGS AND SPECIFICATIONS ARE THE PROPERTY OF ACCURATE INNOTECH INC AND SHALL NOT BE REPRODUCED, COPIED OR USED IN ANY MANNER WITHOUT THE PRIOR WRITTEN CONSENT OF ACCURATE INNOTECH INC.

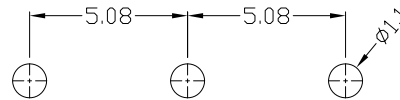
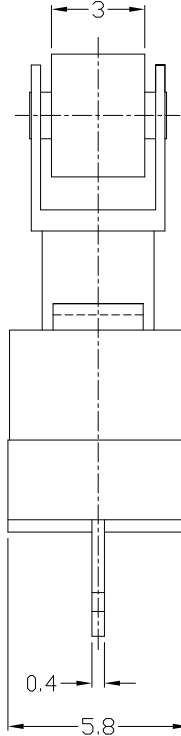
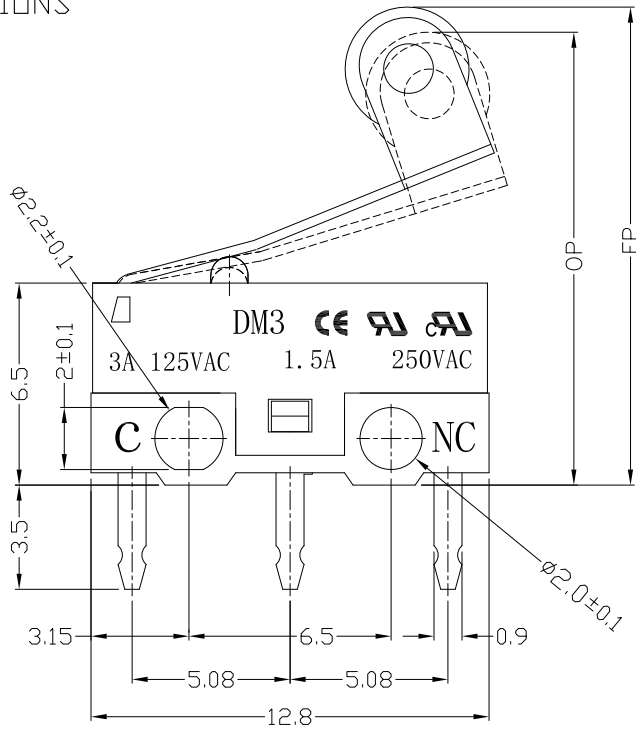
Tolerance: ±0.2	UNITS mm	雅安科技有限公司 ACCURATE INNOTECH INC.					
	MAT'L	TITLE: MICRO SWITCH DM SERIES		PART NO.: DM1-13X-XX-3			
	SEE NOTE	DR: Ricky 2017/2/17		DWG NO.: ATD-13X-XX-3			
	FINISH	CHKD: Ricky 2017/2/17		SCALE SHEET REV. CUSTOMER			
	SEE NOTE	APPD:		1:1	2/2	A	
	Q'TY						



RoHS  
Compliant  
2002/95/EC

REV.	ECN.	NO.	APPD.

DIMENSIONS



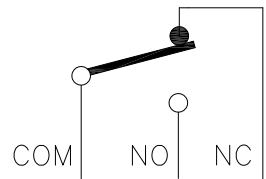
MODEL CODE

DM 3- 13 X-XX-6-0

1 2 3 4 5 6 7

P.C.B LAYOUT

- 1.Series : DM
- 2.Current Rating : 3=3A 125VAC ; 1.5A 250VAC
- 3.Actuator : 00=non-lever 01-99=Lever
- 4.Termination : see chart (P/C/D/T/N)
- 5.Operating Force : see chart
- 6.Button colour : 6=grey
- 7.Cover type : 0=No two lines



CIRCUIT DIAGRAM

1.Functional spec

1.1 Rated Voltage	125VAC/250VAC
1.2 Rated Current	3A/1.5A
1.3 Contact Resistance	≤100mΩ(Initial value)
1.4 Operating Force	25±15gf   30(20~50)gf
1.5 Bounce Time	
1.6 Free Position	15.6±1.0mm
1.7 Operating Position	14.8±1.0mm
1.8 Position Travel	
1.9 Return Force	

2.Reliable Rating

2.1 Mechanical Life	1,000,000 CYCLES
2.2 Electrical Life	10,000 CYCLES
2.3 Insulation Resistance	≥100MΩ DC500V
2.4 Withstand Voltage	AC500V 1 minute
2.5 Soldering Technic	Hand Soldering
2.6 Operating Temper	-25°C ~ +65°C
2.7 Ambient Humidity Used	<85%RH

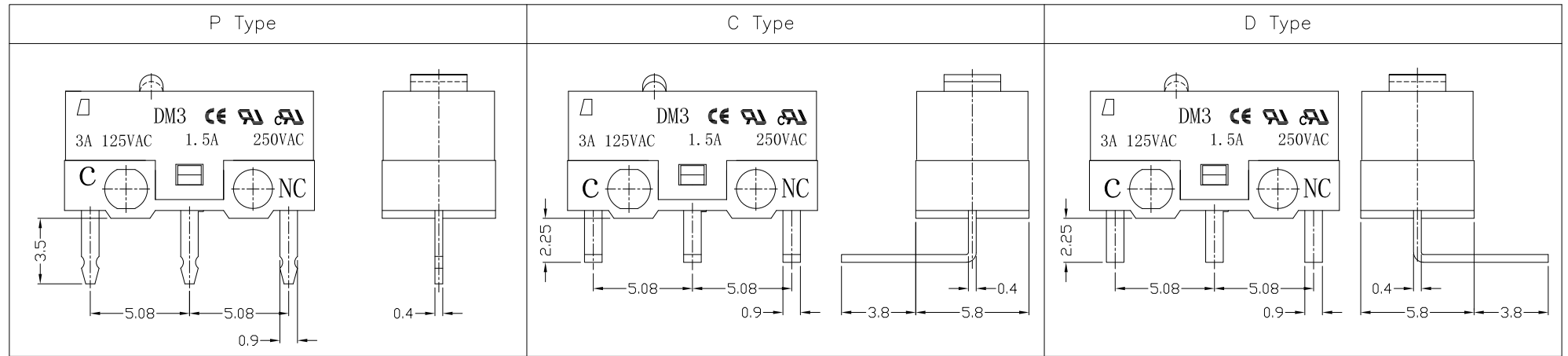
Tolerance:±0.2	UNITS	雅安科技有限公司 ACCURATE INNOTECH INC.			
	mm				
	MAT'L	TITLE:		PART NO.:	
	SEE NOTE	MICRO SWITCH DM SERIES		DM3-13P-XX-6-0	
	FINISH	DR: <i>Ricky</i> 2017/2/21		DWG NO.:	
	SEE NOTE	CHKD: <i>Ricky</i> 2017/2/21		ATD-13X-XX-6-0	
THESE DRAWINGS AND SPECIFICATIONS ARE THE PROPERTY OF ACCURATE INNOTECH INC AND SHALL NOT BE REPRODUCED, COPIED OR USED IN ANY MANNER WITHOUT THE PRIOR WRITTEN CONSENT OF ACCURATE INNOTECH INC.	Q'TY	APPD:		SCALE	SHEET
				1:1	1/2
				REV.	CUSTOMER DRAWING
				A	



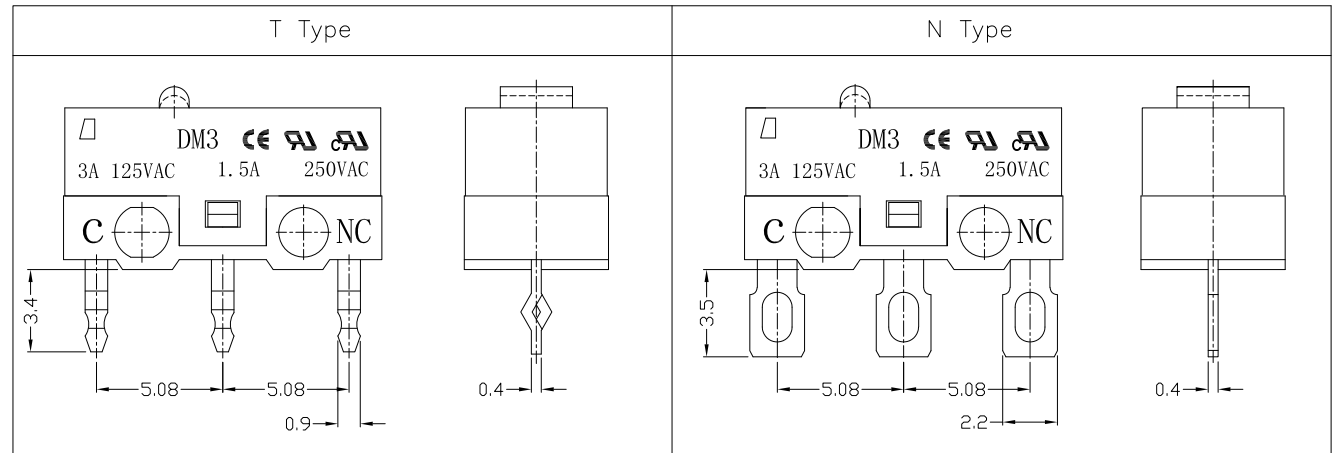
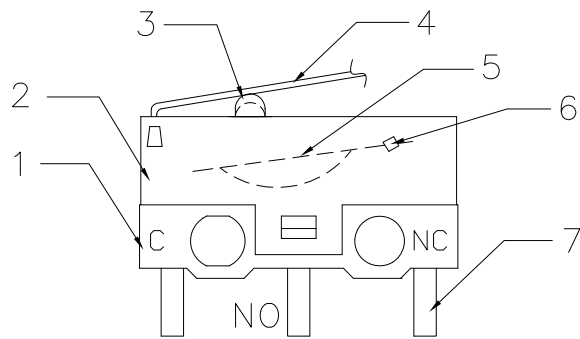
RoHS Compliant  
2002/95/EC

REV.	ECN.	NO.	APPD.

### Terminal Type



### Structure chart



### Material list

NO.	PARTS	MATERIAL	Q'TY	FINISHING	UNITS	mm	雅安科技有限公司 ACCURATE INNOTECH INC.					
8					Tolerance:±0.2		TITLE:		PART NO.:			
7	Terminal	C2680	3				MICRO SWITCH DM SERIES		DM3-13X-XX-6-0			
6	Contact	Silver alloy	3				DR: <i>Ricky</i> 2017/2/21		DWG NO.:			
5	Spring Plate	C1720	1				CHKD: <i>Ricky</i> 2017/2/21		ATD-13X-XX-6-0			
4	Lever	SUS301	1				APPD:		SCALE	SHEET	REV.	CUSTOMER
3	Button	Nylon	1	GREY					1:1	2/2	A	DRAWING
2	Case	PBT	1	BLACK								
1	Base	PBT	1	WHITE								
					<small>THESE DRAWINGS AND SPECIFICATIONS ARE THE PROPERTY OF ACCURATE INNOTECH INC AND SHALL NOT BE REPRODUCED, COPIED OR USED IN ANY MANNER WITHOUT THE PRIOR WRITTEN CONSENT OF ACCURATE INNOTECH INC.</small>							