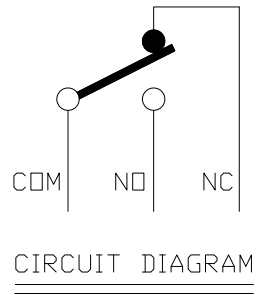
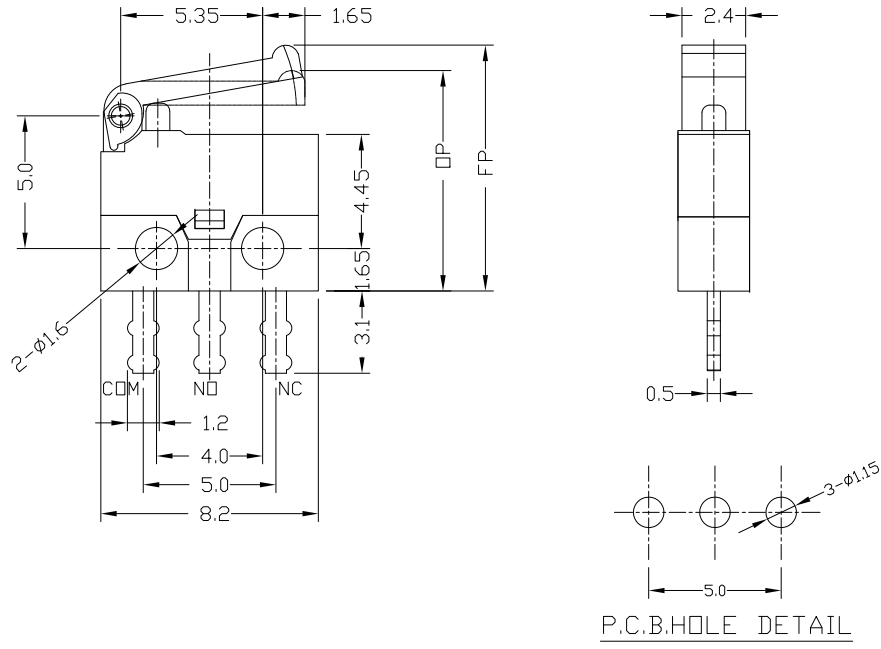




RoHS
Compliant
2002/95/EC

REV.	ECN.	NO.	APPD.

DIMENSIONS



MODEL CODE

DS037-01X-XX

1 2 3 4

- 1.Series : DS037
- 2.Actuator Button : 00=Non-lever 01-99=Lever
- 3.Termination : see chart(P/C/D/C1/D1)
- 4.Operating Force : see chart

1.Functional spec

1.1 Rated Voltage	DC 6V
1.2 Rated Current	0.3A
1.3 Contact Resistance	≤100mΩ(Initial value)
1.4 Operating Force	10~45gf
1.5 Bounce Time	
1.6 Free Position	9.15±0.5mm
1.7 Operating Position	8.35±0.5mm
1.8 Position Travel	
1.9 Return Force	

2.Reliable Rating

2.1 Mechanical Life	100,000 CYCLES
2.2 Electrical Life	50,000 CYCLES
2.3 Insulation Resistance	≥100MΩ DC250V
2.4 Withstand Voltage	AC250V 1 minute
2.5 Soldering Technic	Hand/Wave soldering
2.6 Operating Temper	-25°C ~ +85°C
2.7 Ambient Humidity Used	<70%RH

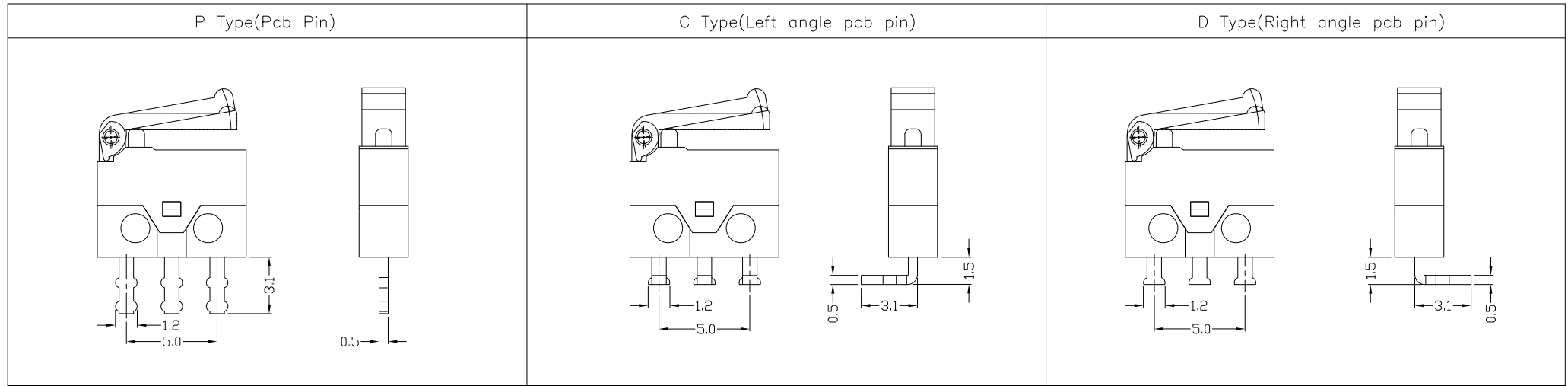
Tolerance:±0.2	UNITS mm	雅安科技有限公司 ACCURATE INNOTECH INC.				
	MAT'L					TITLE:
	SEE NOTE	Miniature MICRO SWITCH DS037 SERIES	DS037-01P-30			
	FINISH	DR: <i>Ricky</i> 2023/03/21	DWG NO:			
	SEE NOTE	CHKD: <i>Ricky</i> 2023/03/21	ATD-01X-30			
THESE DRAWINGS AND SPECIFICATIONS ARE THE PROPERTY OF ACCURATE INNOTECH INC AND SHALL NOT BE REPRODUCED, COPIED OR USED IN ANY MANNER WITHOUT THE PRIOR WRITTEN CONSENT OF ACCURATE INNOTECH INC.	Q'TY	APPD:	SCALE	SHEET	REV.	CUSTOMER DRAWING
			1:1	1/2	A	



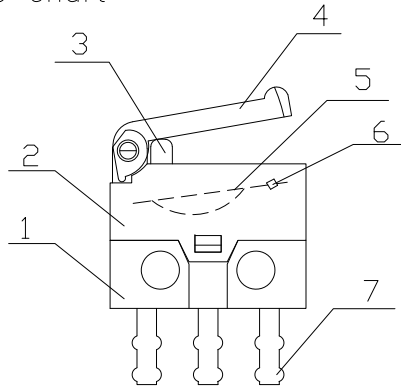
RoHS Compliant
2002/95/EC

REV.	ECN.	NO.	APPD.

Terminal Type



Structure chart



Material list

8					
7	Terminal	C2680	3		
6	Contact	Silver alloy	1		
5	Spring Plate	C1720	1		
4	Lever	Nylon	1		
3	Button	Nylon	1		
2	Case	Nylon	1		
1	Base	Nylon	1		
NO.	PARTS	MATERIAL	Q'TY	FINISHING	

Tolerance:±0.2

UNITS mm

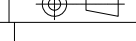
MAT'L

SEE NOTE

FINISH

SEE NOTE

Q'TY



雅安科技有限公司
ACCURATE INNOTECH INC.

TITLE: Miniature MICRO SWITCH DS037 SERIES

PART NO.: DS037-01X-30

DR: Ricky 2023/03/21

DWG NO.: ATD-01X-30

CHKD: Ricky 2023/03/21

SCALE SHEET REV. CUSTOMER DRAWING

APPD:

1:1 2/2 A

THESE DRAWINGS AND SPECIFICATIONS ARE THE PROPERTY OF ACCURATE INNOTECH INC AND SHALL NOT BE REPRODUCED, COPIED OR USED IN ANY MANNER WITHOUT THE PRIOR WRITTEN CONSENT OF ACCURATE INNOTECH INC.