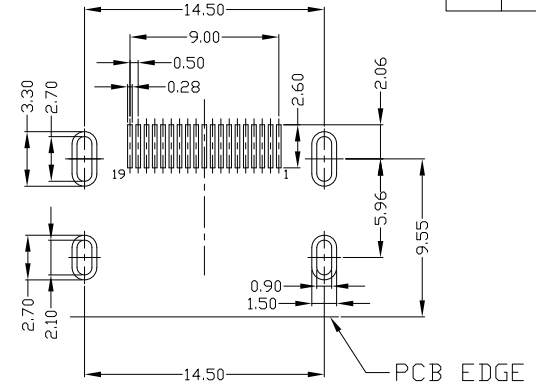
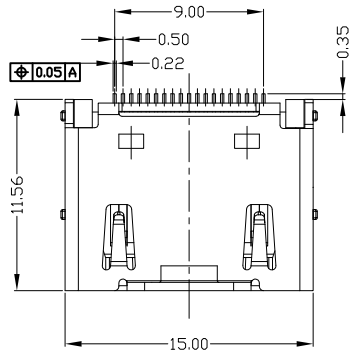


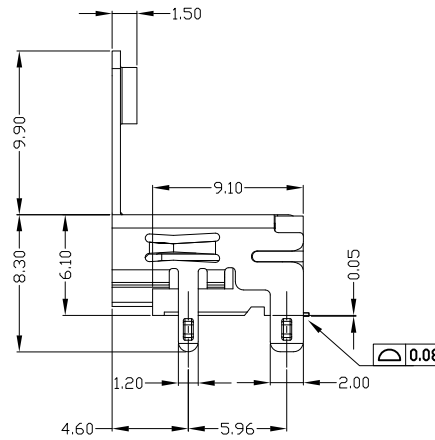
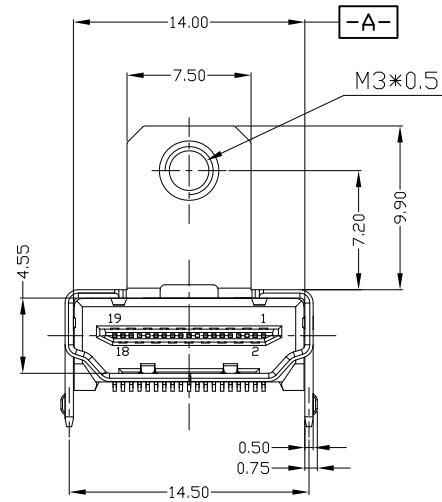


RoHS
Compliant
2002/95/EC

REV.	ECN.	NO.	APPD.



RECOMMENDED PCB LAYOUT (T=1.60mm)



NOTES:

- ELECTRICAL:
 - VOLTAGE CURRENT RATING: 0.5AMP,30V AC;
 - INSULATION RESISTANCE: 100MΩ MIN;
 - CONTACT RESISTANCE: 30mΩ MAX;
 - WITHSTANDING VOLTAGE: 500V AC;
 - OPERATING TEMPERATURE:-20°C TO +85°C.
- Mechanical:
 - Mating Force: 35N MAX
 - Unmating Force: 10N MIN.
- DIMENSIONS MARKED "▼" TO BE CHECKED BY Q.C & IPQC.
- PART NO.

HMAF-191N-4BHS46

- N: Ni
- G: Au
- 1: Au 1U"
- 5: Au 15U"

Bill of materials:

NO	PARTS	MATERIAL	QTY	FINISHING	UNITS	mm	雅安科技有限公司 ACCURATE INNOTECH INC.				
3	HOUSING	LCP+30%GF	1	UL94V-0	X. ±0.35	X.' ±2'	SEE NOTE	TITLE: HDMI AF 19PIN SMT 带耳铜壳 DIP脚带凸点 L=9.10		PART NO.: HMAF-191N-4BHS46	
2	SHELL	COPPER ALLOY	1	PLATED NICKEL	.X ±0.3	.X' ±1'		DR: gan 2017/07/2		DWG NO.: AII-HS46	
1	TERMINAL	COPPER ALLOY	19	PLATED GOLD/TIN	.XX ±0.25	.XX'		CHKD: gan 2017/07/2		SCALE SHEET REV. CUSTOMER 1:1 1/1 B DRAWING	
NO	PARTS	MATERIAL	QTY	FINISHING	.XXX ±0.15	.XXX'	SEE NOTE	APPD: gan 2017/07/2			

THESE DRAWINGS AND SPECIFICATIONS ARE THE PROPERTY OF ACCURATE INNOTECH INC AND SHALL NOT BE REPRODUCED, COPIED OR USED IN ANY MANNER WITHOUT THE PRIOR WRITTEN CONSENT OF ACCURATE INNOTECH INC.

