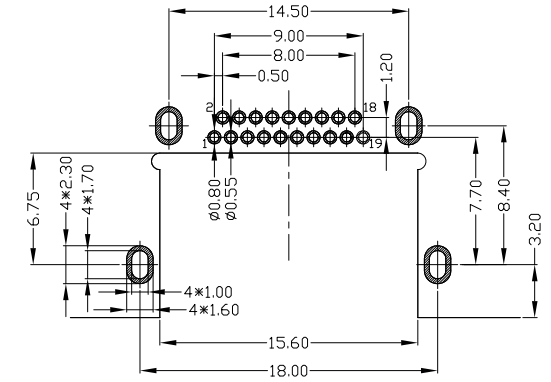
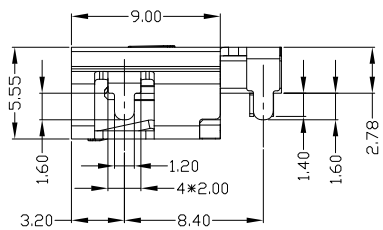
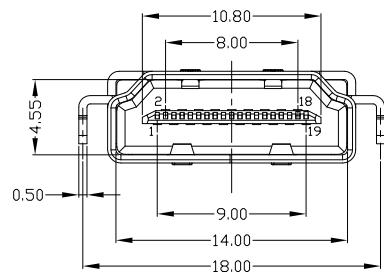
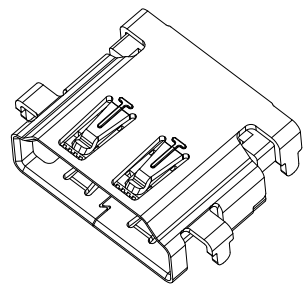
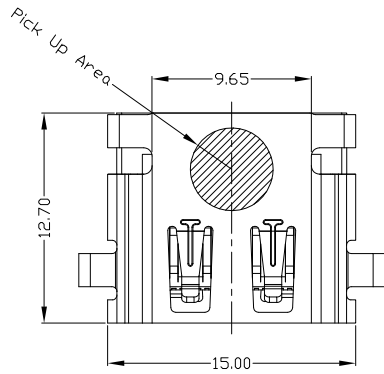




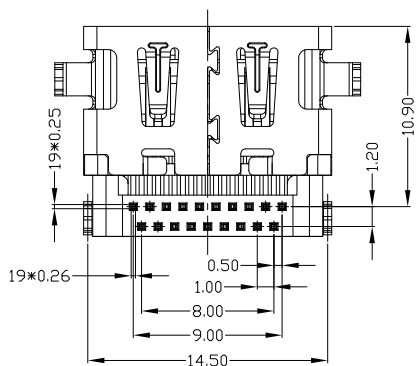
RoHS
Compliant
2002/95/EC

| REV. | ECN. | NO. | APPD. |
|------|------|-----|-------|
| | | | |
| | | | |



RECOMMENDED PCB LAYOUT T=1.60

GENERAL TOLERANCES: ±0.05



NOTES:

- ELECTRICAL:
 - VOLTAGE CURRENT RATING: 0.5AMP,30V AC;
 - INSULATION RESISTANCE: 1000Ω MIN;
 - CONTACT RESISTANCE: 30mΩ MAX;
 - WITHSTANDING VOLTAGE: 500V AC;
 - OPERATING TEMPERATURE:-55°C TO +105°C.
- Mechanical:
 - Mating Force: 35N MAX
 - Unmating Force: 10N MIN.
- DIMENSIONS MARKED "▼" TO BE CHECKED BY Q.C & IPQC.

4.PART NO.

HMAF-191N-4BRS42

N: Ni
G: Au
1: Au 1U"
5: Au 15U"

Bill of materials:

| | | | | | | | | | |
|--|----|----------|--------------|-----|-----------------|------------|---------|----------|------------------------------------|
| E | 3 | HOUSING | LCP+30%GF | 1 | UL94V-0 | X. ±0.35 | X.' ±2' | UNITS | 雅安科技有限公司 ACCURATE INNOTECH INC. |
| | 2 | SHELL | SPCC | 1 | PLATED NICKEL | .X ±0.3 | .X' ±1' | mm | |
| E | 1 | TERMINAL | COPPER ALLOY | 19 | PLATED GOLD/TIN | .XX ±0.25 | .XX' | MAT'L | TITLE: |
| | NO | PARTS | MATERIAL | QTY | FINISHING | .XXX ±0.15 | .XXX' | SEE NOTE | HDMI AF 19PIN DIP 反向沉板 H2.78 |
| <small>THESE DRAWINGS AND SPECIFICATIONS ARE THE PROPERTY OF ACCURATE INNOTECH INC AND SHALL NOT BE REPRODUCED, COPIED OR USED IN ANY MANNER WITHOUT THE PRIOR WRITTEN CONSENT OF ACCURATE INNOTECH INC.</small> | | | | | | | | | PART NO.: |
| | | | | | | | | | HMAF-191N-4BRS42 |
| Q'TY | | | | | | | | | DR: gan 2017/07/2 |
| | | | | | | | | | DWG NO.: |
| APPD: gan 2017/07/2 | | | | | | | | | AII-RS42 |
| SCALE | | | | | | | | | 1:1 |
| SHEET | | | | | | | | | 1/1 |
| REV. | | | | | | | | | B |
| CUSTOMER DRAWING | | | | | | | | | |